

Suction Heater - Type GSH

FUNCTION

The Gaumer "Suction Oil Heater" is designed to be mounted through the side of a large storage tank. What makes the design unique is that it heats only the material being removed from the tank.

APPLICATIONS

12 Watts Per Square Inch

For heating medium weight fuel oil, raw crude oil, viscous fluids which accept heat easily.

8 Watts Per Square Inch

For heating #5 and #6 fuel oil, raw crude oil, residual oils, many viscous materials..

6 Watts Per Square Inch

For heating #6 fuel oil, Bunker C fuel oil, heavy residual oils, etc.

4 Watts Per Square Inch

For heating heavy residual oils, asphalt, many viscous fluids which don't accept heat easily.

STANDARD FEATURES

Vessel Construction

- ASME Coded Chamber
- Corrosion Resistant Finish

Heater Construction

- Moisture Proof Terminal Housing
- Welded Heating Elements
- Welded Terminal Housing
- Welded Spacers

Heating Elements

- Incoloy 800 Sheath Material
- Heavy Wall (.035 in.)
- Large diameter (.475 in.)
- Sealed Terminals

Spacers

- High Temp Alloy Material
- Rugged Design
- "Evenflow" Configuration

Installation

- Installation Manuals Included
- Only Standard Materials Needed in Field

Service

- Wiring Modifiable in Field
- Field Removable with Optional Valve
- Assembly Repairable at Factory

SPECIAL FEATURES

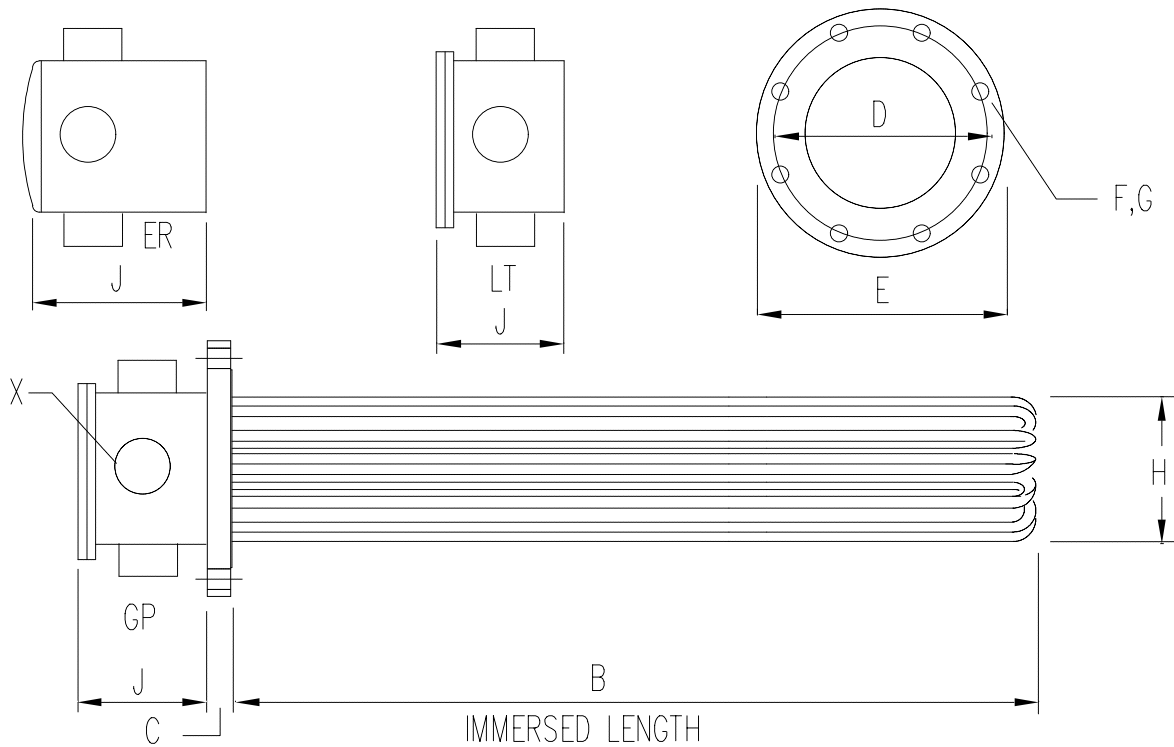
- ER** Explosion Resistant Terminal Enclosure
- LT** Moisture Resistant Terminal Enclosure
- J(K)** Sheath Sensing Thermocouple attached to one element for overheat protection.
- SpHtr** Space Heater Mounted in Terminal Enclosure
- XXValve** Field Mountable Valve for isolation purposes during servicing and flow restriction during operation. Handle mounts through top of tank.

Suction Heater

Type GSH

Gaumer Drawing No. GSH-100 (Dimension Suction Heater Detail)

Process Flange (A)							Heater Flange	Outlet (inches)			Inlet	
A Size	Dimensions (inches)			Hole Size	# Holes	Hole Diam		Type	Size	Type	Type	Size
(in)	C Thick	D Diam:	E Diam:	F	G	H	(in)					
4	0-15/16	7-1/2	9	3/4	4	2-3/4	3	FNPT	2 1 inch FNP	FNPT	3	4.5
5	0-15/16	8-1/2	10	3/4	8	3-13/16	4	150# A	2 1 inch FNP	FNPT	3	11.5
6	1	9-1/2	11	7/8	8	4-13/16	5	150# A	3 1 inch FNP	FNPT	3	12.5
8	1-1/8	11-3/4	13-1/2	7/8	8	5-3/4	6	150# A	3 1 inch FNP	FNPT	3	13.0
10	1-3/16	14-1/4	16	7/8	8	7-13/16	8	150# A	3 1 inch FNP	150# ANSI	3	16.0
12	1-3/16	17	19	1	12	9-5/8	10	150# A	4 1 inch FNP	150# ANSI	4	11.5
14	1-1/4	17	21	1-1/8	12	11-5/8	12	150# A	4 1 inch FNP	150# ANSI	6	13.0
16	1-3/8	18-3/4	23-1/2	1-1/8	16	12-1/2	14	150# A	6 1 inch FNP	150# ANSI	6	18.5



(Dimension Suction Heater Housing Detail)

Process Flange (A) A Size	Heater Flange	Housing Height (inches)			X - No and Size Conduit Connection		
		J GP:	J ER:	J LT:	GP:	ER:	LT:
4	3	2-5/8	5-1/2	2-5/8	1@1	1@1-1/4	1@1
5	4	5-1/2	6-1/2	5-1/2	3@1-1/4	2@1/2	3@1-1/4
6	5	5-1/2	6-1/2	5-1/2	3@1-1/4	2@1/2	3@1-1/4
8	6	5-1/2	8	5-1/2	3@1-1/4	2@1/2	3@1-1/4
10	8	5-1/2	9	5-1/2	3@1-1/2	3@1-1/2	3@1-1/2
12	10	7	11	7	3@1-1/2	3@1-1/2	3@1-1/2
14	12	7	11	7	3@2	3@2	3@2
16	14	7	11	7	3@2	3@2	3@2

Suction Heater

Type GSH

WattDensity: 12

A Size	B Dim	kW	Volts	Catalog No.
5	88	19.0	240	GSH5F6N88H4D
5	88	19.0	480	GSH5F6N88H4S
5	106	21.0	240	GSH5F6N106H4D
5	106	21.0	480	GSH5F6N106H4S
5	120	23.0	240	GSH5F6N120H4D
5	120	23.0	480	GSH5F6N120H4S
5	140	26.0	240	GSH5F6N140H4D
5	140	26.0	480	GSH5F6N140H4S
5	160	30.0	240	GSH5F6N160H4D
5	160	30.0	480	GSH5F6N160H4S
6	88	38.0	240	GSH6F12N88H4D
6	88	38.0	480	GSH6F12N88H4S
6	106	42.0	240	GSH6F12N106H4D
6	106	42.0	480	GSH6F12N106H4S
6	120	45.0	240	GSH6F12N120H4D
6	120	45.0	480	GSH6F12N120H4S
6	140	53.0	240	GSH6F12N140H4D
6	140	53.0	480	GSH6F12N140H4S
6	160	60.0	240	GSH6F12N160H4D
6	160	60.0	480	GSH6F12N160H4S
8	88	56.0	240	GSH8F18N88H4D
8	88	56.0	480	GSH8F18N88H4S
8	106	63.0	240	GSH8F18N106H4D
8	106	63.0	480	GSH8F18N106H4S
8	120	68.0	240	GSH8F18N120H4D
8	120	68.0	480	GSH8F18N120H4S
8	140	79.0	240	GSH8F18N140H4D
8	140	79.0	480	GSH8F18N140H4S
8	160	90.0	240	GSH8F18N160H4D
8	160	90.0	480	GSH8F18N160H4S
10	88	75.0	240	GSH8F24N88H4D
10	88	75.0	480	GSH8F24N88H4S
10	106	84.0	240	GSH8F24N106H4D
10	106	84.0	480	GSH8F24N106H4S
10	120	90.0	240	GSH8F24N120H4D
10	120	90.0	480	GSH8F24N120H4S
10	140	105.0	240	GSH8F24N140H4D
10	140	105.0	480	GSH8F24N140H4S
10	160	121.0	240	GSH8F24N160H4D
10	160	121.0	480	GSH8F24N160H4S
10	180	135.0	240	GSH8F24N180H4D

WattDensity: 12

A Size	B Dim	kW	Volts	Catalog No.
10	180	135.0	480	GSH8F24N180H4S
12	88	112.0	480	GSH10F36N88H4S
12	106	125.0	480	GSH10F36N106H4S
12	120	135.0	480	GSH10F36N120H4S
12	140	157.0	480	GSH10F36N140H4S
12	160	181.0	480	GSH10F36N160H4S
12	180	203.0	480	GSH10F36N180H4S
14	88	150.0	480	GSH12F48N88H4S
14	106	167.0	480	GSH12F48N106H4S
14	120	180.0	480	GSH12F48N120H4S
14	140	210.0	480	GSH12F48N140H4S
14	160	241.0	480	GSH12F48N160H4S

WattDensity: 8

A Size	B Dim	kW	Volts	Catalog No.
5	88	11.2	480	GSH5F6N88M4Y
5	106	13.0	480	GSH5F6N106M4Y
5	120	16.0	480	GSH5F6N120M4Y
5	140	18.0	480	GSH5F6N140M4Y
5	160	20.0	480	GSH5F6N160M4Y
6	88	22.0	480	GSH6F12N88M4Y
6	106	26.0	480	GSH6F12N106M4Y
6	120	31.0	480	GSH6F12N120M4Y
6	140	35.0	480	GSH6F12N140M4Y
6	160	40.0	480	GSH6F12N160M4Y
8	88	34.0	480	GSH8F18N88M4Y
8	106	38.0	480	GSH8F18N106M4Y
8	120	47.0	480	GSH8F18N120M4Y
8	140	52.0	480	GSH8F18N140M4Y
8	160	60.0	480	GSH8F18N160M4Y
10	88	45.0	480	GSH8F24N88M4Y
10	106	50.0	480	GSH8F24N106M4Y
10	120	62.0	480	GSH8F24N120M4Y
10	140	70.0	480	GSH8F24N140M4Y
10	160	81.0	480	GSH8F24N160M4Y
12	88	67.0	480	GSH10F36N88M4Y
12	106	76.0	480	GSH10F36N106M4Y
12	120	94.0	480	GSH10F36N120M4Y
12	140	105.0	480	GSH10F36N140M4Y
12	160	121.0	480	GSH10F36N160M4Y
14	88	90.0	480	GSH12F48N88M4Y

Suction Heater

Type GSH

WattDensity: 8

A Size	B Dim	kW	Volts	Catalog No.
14	106	100.0	480	GSH12F48N106M4Y
14	120	124.0	480	GSH12F48N120M4Y
14	140	140.0	480	GSH12F48N140M4Y
14	160	161.0	480	GSH12F48N160M4Y

WattDensity: 6

A Size	B Dim	kW	Volts	Catalog No.
5	88	8.4	480	GSH5F6N88M4S
5	106	9.4	480	GSH5F6N106M4S
5	120	11.6	480	GSH5F6N120M4S
5	140	13.0	240	GSH5F6N140M4D
5	140	13.0	480	GSH5F6N140M4S
5	160	15.0	240	GSH5F6N160M4D
5	160	15.0	480	GSH5F6N160M4S
6	88	17.0	480	GSH6F12N88M4S
6	106	19.0	480	GSH6F12N106M4S
6	120	24.0	480	GSH6F12N120M4S
6	140	26.0	240	GSH6F12N140M4D
6	140	26.0	480	GSH6F12N140M4S
6	160	30.0	240	GSH6F12N160M4D
6	160	30.0	480	GSH6F12N160M4S
8	88	25.0	480	GSH8F18N88M4S
8	106	29.0	480	GSH8F18N106M4S
8	120	35.0	480	GSH8F18N120M4S
8	140	40.0	240	GSH8F18N140M4D
8	140	40.0	480	GSH8F18N140M4S
8	160	45.0	240	GSH8F18N160M4D
8	160	45.0	480	GSH8F18N160M4S
10	88	34.0	480	GSH8F24N88M4S
10	106	38.0	480	GSH8F24N106M4S
10	120	47.0	480	GSH8F24N120M4S
10	140	53.0	240	GSH8F24N140M4D
10	140	53.0	480	GSH8F24N140M4S
10	160	60.0	240	GSH8F24N160M4D
10	160	60.0	480	GSH8F24N160M4S
12	88	50.0	480	GSH10F36N88M4S
12	106	57.0	480	GSH10F36N106M4S
12	120	70.0	480	GSH10F36N120M4S
12	140	79.0	480	GSH10F36N140M4S
12	160	91.0	480	GSH10F36N160M4S
14	88	67.0	480	GSH12F48N88M4S

WattDensity: 6

A Size	B Dim	kW	Volts	Catalog No.
14	106	76.0	480	GSH12F48N106M4S
14	120	94.0	480	GSH12F48N120M4S
14	140	105.0	480	GSH12F48N140M4S
14	160	121.0	480	GSH12F48N160M4S

WattDensity: 4

A Size	B Dim	kW	Volts	Catalog No.
5	88	6.3	480	GSH5F6N88H4SY
5	106	6.9	480	GSH5F6N106H4SY
5	120	7.5	480	GSH5F6N120H4SY
5	140	9.0	480	GSH5F6N140H4SY
5	160	10.0	480	GSH5F6N160H4SY
6	88	11.1	240	GSH6F12N88B4SD
6	106	15.0	480	GSH6F12N106H4SY
6	120	15.0	480	GSH6F12N120H4SY
6	140	18.0	480	GSH6F12N140H4SY
6	160	20.0	480	GSH6F12N160H4SY
8	88	19.0	480	GSH8F18N88H4SY
8	106	21.0	480	GSH8F18N106H4SY
8	120	23.0	480	GSH8F18N120H4SY
8	140	26.0	480	GSH8F18N140H4SY
8	160	30.0	480	GSH8F18N160H4SY
10	88	25.0	480	GSH8F24N88H4SY
10	106	28.0	480	GSH8F24N106H4SY
10	120	30.0	480	GSH8F24N120H4SY
10	140	35.0	480	GSH8F24N140H4SY
10	160	40.0	480	GSH8F24N160H4SY
10	180	45.0	480	GSH8F24N180H4SY
12	88	37.0	480	GSH10F36N88H4SY
12	106	42.0	480	GSH10F36N106H4S
12	120	45.0	480	GSH10F36N120H4S
12	140	53.0	480	GSH10F36N140H4S
12	160	60.0	480	GSH10F36N160H4S
12	180	68.0	480	GSH10F36N180H4S
14	106	56.0	480	GSH12F48N106H4S
14	120	60.0	480	GSH12F48N120H4S
14	140	70.0	480	GSH12F48N140H4S
14	160	80.0	480	GSH12F48N160H4S