

# GAUMER PROCESS

HEATERS  
SYSTEMS  
CONTROLS

## APPLICATIONS

### 90, 60, and 45 Watts Per Square Inch

- Industrial water heating - many aqueous solutions which are compatible with steel and Incoloy.

### 23 and 20 Watts Per Square Inch

- For heat transfer oil, cleaners, high temperature air and gas heating.

### 15 and 12 Watts Per Square Inch

- For lubricating oils, medium viscosity oils, high temperature air and gas heating.

### 8 and 6 Watts Per Square Inch

- For #5 and #6 fuel oil heating, viscous materials, raw crude oil, residual oils, high temperature air and gas heating.

### 4 and 2 Watts Per Square Inch

- For asphalt and other hard-to-heat materials, extra high temperature air and gas.

## SPECIAL FEATURES

- Explosion Resistant Terminal Enclosure
- Moisture Resistant Terminal Enclosure
- Sheath Sensing Type K (J) Thermocouple attached to one element for overheat protection.
- Offset (Spaced Away) Terminal Housing
- Space Heater Mounted in Term. Encl.
- 2" Calcium Silicate Insulation with Alum. Jacke
- 2" Calcium Silicate Insulation with SS Jacket
- Insulation Jacket - Weatherproof Const.
- Custom Insulation Jacket
- 300#, 600#, 900#, etc. Construction
- Stainless Steel Construction - Type 304, 316
- ASME Coded and Stamped Chamber
- Thermowell/TC (Type J/K) mtd. in Outlet

## OTHER CAPABILITIES

- Double Ended PBodies to 38 ft. Available
- Multiple Chamber Units Available
- Designs Available to 3000 psig and 1200°F.
- Special Material Assemblies are Available
- Special Coatings and Finishes are Available

7/3/2002

## Circulation Heaters - Type IC



## STANDARD FEATURES

### Pipebody Chamber

- All Welded Construction
- 100% Hydrostatic Tested
- Sizes to 24 in. Diam. Available as Standard
- Over 200 Nozzle Arrangements are Standard
- Both Vertical and Horizontal Models Standar
- Either Mtg Brackets or Saddles are Standard
- Drain Plugs Where Applicable are Standard
- Large Selection of Standard Inlet and Outlet Sizes
- Chamber Connection Type and Size other than that detailed on Catalog Page

### Heating Elements

- Incoloy 800 Sheath Material, Sealed Terminal
- Heavy Wall (.035 in.), Large diameter (.475 in.

### Spacers

- Rugged Design, High Temp Alloy Material
- "Evenflow" Configuration Standard

### Construction

- Welded Heating Elements
- Welded Terminal Housings and Spacers

### Installation

- Flying Leadwires Provided
- Only Standard Materials Needed in Field

### Service

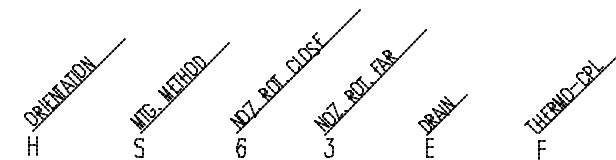
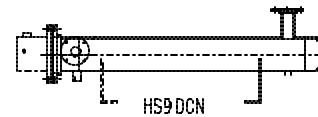
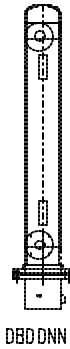
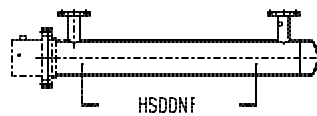
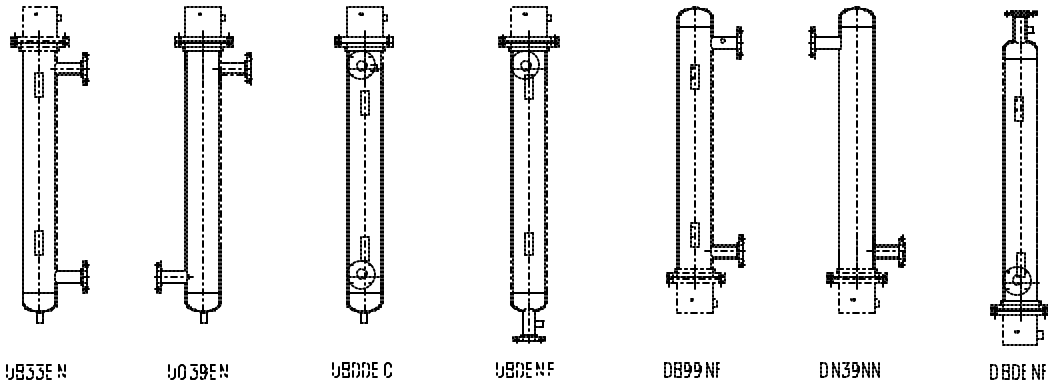
- Wiring Modifiable in Field
- Assembly Repairable at Factory

# Circulation Heaters

Type IC

Gaumer Drawing No. IC-100  
(Arrangement Option Detail)

## HEATER COMPONENT LOCATION CODE



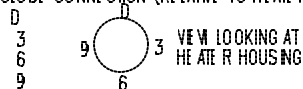
1) HEATER ORIENTATION

- H---HORIZONTAL
- U---UP (RELATIVE TO HEATER FLANGE)
- D---DOWN (RELATIVE TO HEATER FLANGE)

2) MOUNTING METHOD (ALWAYS AT THE 6 POSITION)

- S---SADDLES
- B---MOUNTING BLOCKS
- N---NONE

3) CLOSE CONNECTION (RELATIVE TO HEATER FLANGE)



4) FAR CONNECTION (SAME AS CLOSE CONNECTION)

- D
- 3
- 6
- 9
- E---END

5) DRAIN

- C---CLOSE
- F---FAR
- E---END
- N---NONE

6) THE THERMOUPLE

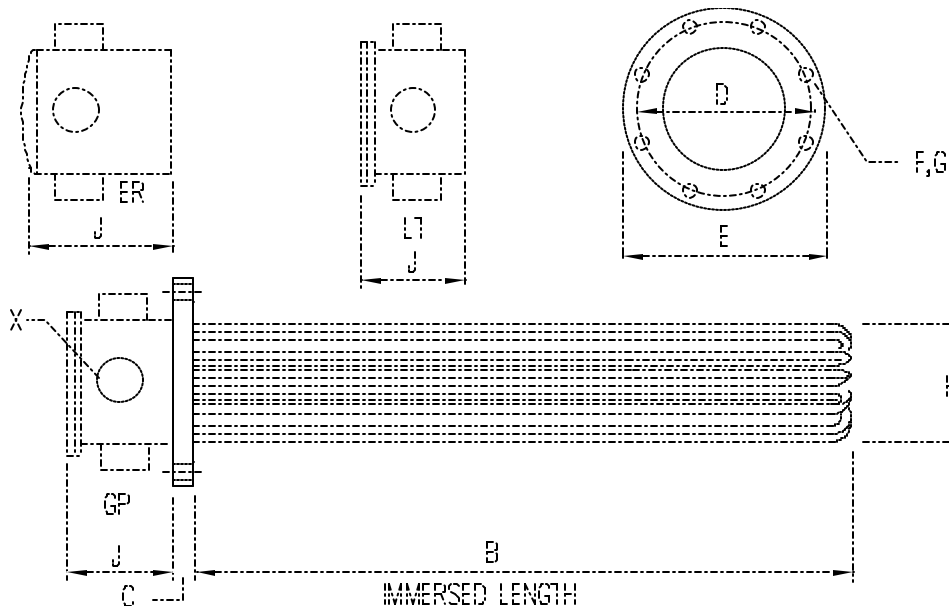
- C---CLOSE
- F---FAR
- N---NONE

# Circulation Heaters

Type IC

## Gaumer Drawing No. IF-200 (Dimension Flange Heater Detail)

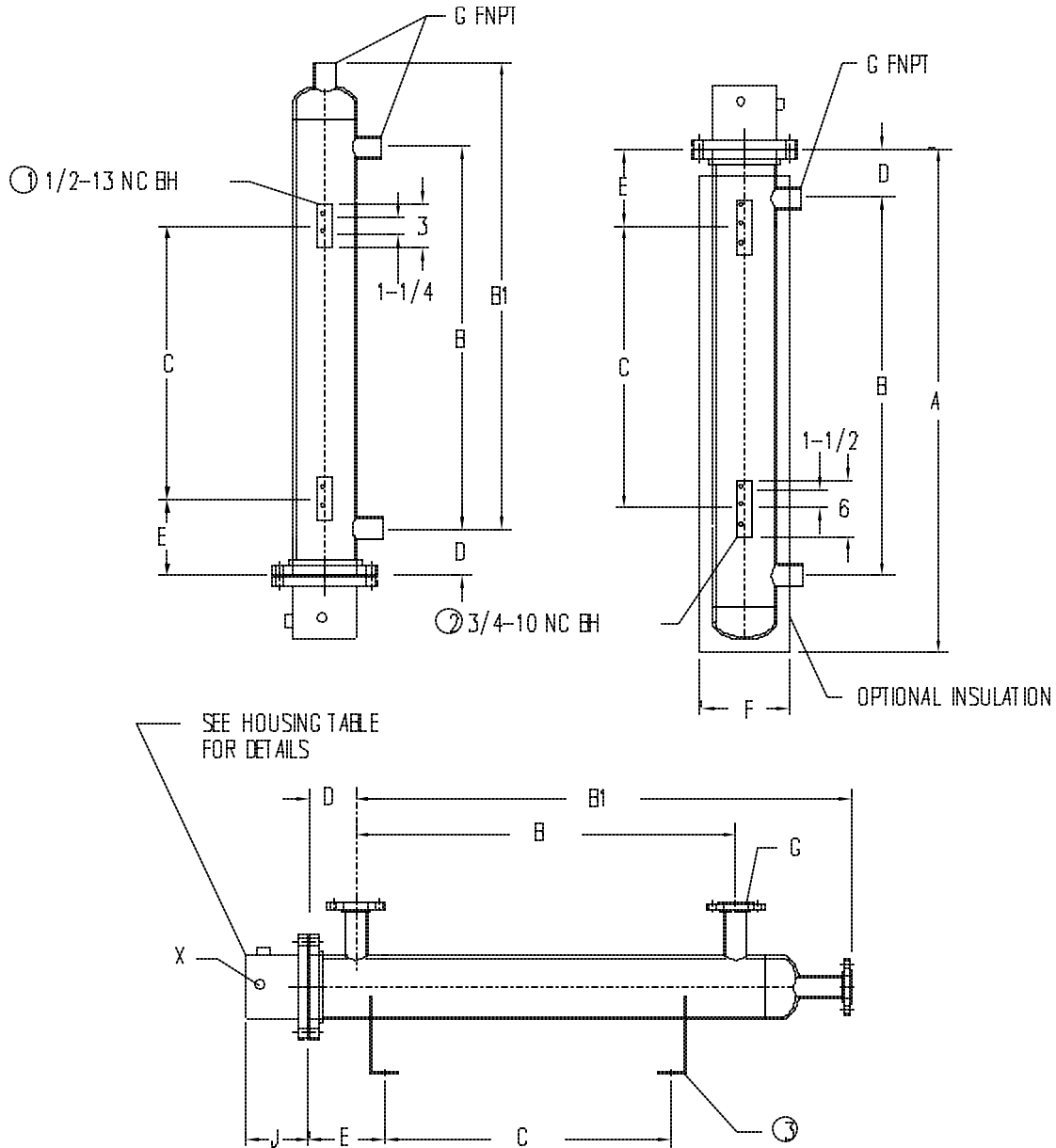
Flange Size (in)	Pressur Class (lb.)	Flange Dimensions (inches)			Hole Size F	No. of Holes G	Min.Hole Diam. H	Housing Height (inches)			X - No and Size Conduit Connection		
		C Thick	D Diam:	E Diam:				J GP:	J ER:	J LT:	GP:	ER:	LT:
2-1/2	150	7/8	5-1/2	7	3/4	4	2-1/4	2-5/8	5-1/2	2-5/8	1@1	2@1-1/4	1@1
2-1/2	300	1	5-7/8	7-1/2	7/8	8	2-1/4	2-5/8	5-1/2	2-5/8	1@1	2@1-1/4	1@1
3	150	0-15/16	6	7-1/2	3/4	4	2-3/4	2-5/8	5-1/2	2-5/8	1@1	2@1-1/4	1@1
3	300	1-1/8	6-5/8	8-1/4	7/8	8	2-3/4	2-5/8	5-1/2	2-5/8	1@1	2@1-1/4	1@1
4	150	0-15/16	7-1/2	9	3/4	8	3-13/16	5-1/2	6-1/2	5-1/2	4@1-1/2	2@1-1/2	4@1-1/2
4	300	1-1/4	7-7/8	10	7/8	8	3-13/16	5-1/2	6-1/2	5-1/2	4@1-1/2	2@1-1/2	4@1-1/2
5	150	0-15/16	8-1/2	10	7/8	8	4-13/16	5-1/2	6-1/2	5-1/2	4@1-1/2	2@1-1/2	4@1-1/2
5	300	1-3/8	9-1/4	11	7/8	8	4-13/16	5-1/2	6-1/2	5-1/2	4@1-1/2	2@1-1/2	4@1-1/2
6	150	1	9-1/2	11	7/8	8	5-3/4	5-1/2	8	5-1/2	4@1-1/2	4@1-1/2	4@1-1/2
6	300	1-7/16	10-5/8	12-1/2	7/8	12	5-3/4	5-1/2	8	5-1/2	4@1-1/2	4@1-1/2	4@1-1/2
8	150	1-1/8	11-3/4	13-1/2	7/8	8	7-13/16	5-1/2	9	5-1/2	4@1-1/2	4@1-1/2	4@1-1/2
8	300	1-5/8	13	15	1	12	7-13/16	5-1/2	9	5-1/2	4@1-1/2	4@1-1/2	4@1-1/2
10	150	1-3/16	14-1/4	16	1	12	9-5/8	7	11	7	4@2	4@2	4@2
10	300	1-7/8	15-1/4	17-1/2	1-1/8	16	9-5/8	7	11	7	4@2	4@2	4@2
12	150	1-1/4	17	19	1	12	11-5/8	7	11	7	4@2	4@2	4@2
12	300	2	17-3/4	20-1/2	1-1/4	16	11-5/8	7	11	7	4@2	4@2	4@2
14	150	1-3/8	18-3/4	21	1-1/8	12	12-1/2	7	11	7	4@2	4@2	4@2
14	300	2-1/8	20-1/4	23	1-1/4	20	12-1/2	7	11	7	4@2	4@2	4@2
16	150	1-7/16	21-1/4	23-1/2	1-1/8	16	14-1/2	9	13	9	4@2	4@2	4@2
16	300	2-1/4	22-1/2	25-1/2	1-3/8	20	14-1/2	9	13	9	4@2	4@2	4@2
18	150	1-9/16	22-3/4	25	1-1/4	16	16-3/8	9	13	9	4@2	4@2	4@2
18	300	2-3/8	24-3/4	28	1-3/8	24	16-3/8	9	13	9	4@2	4@2	4@2
20	150	1-11/16	25	27-1/2	1-1/4	20	18-5/16	9	13	9	4@2	4@2	4@2
20	300	2-1/2	27	30-1/2	1-3/8	24	18-5/16	9	13	9	4@2	4@2	4@2
24	150	1-7/8	29-1/2	32	1-3/8	20	22-1/8	11	15	11	6@2	6@2	6@2
24	300	2-3/4	32	36	1-5/8	24	22-1/8	11	15	11	6@2	6@2	6@2



# Circulation Heaters

Type IC

Gaumer Drawing No. IC-300  
(Dimension Option Detail)



- ① FOR SIZES 3" THRU 6"
- ② FOR SIZES 8" THRU 14"
- ③ SADDLES OPTIONAL

# Circulation Heaters

Type IC

**Watt Density: 23**

**Diameter (in.): 2.5**

**Watt Density (w/sq.in.): 23**

GCI Circulation Heater Drawing No. IC-3 Dimensions (Inches) A, B, B1, C, D, E,							D = 3 E = N/A		Nozzles Option 1		Nozzles Option 2		Nozzles Option 3		Nozzles Option 4	
Catalog Number	kW	Volt	A	B	C	F	B1	G1(in.)	B1	G2(in.)	B1	G3(in)	B1	G4(in)		
C2F3N13M1	2.2	120	19	N/A	N/A	5-1/2	15	1 FNPT	17	2 FNPT	19	1 150#	20	2 150#		
C2F3N13M2	2.2	240	19	N/A	N/A	5-1/2	15	1 FNPT	17	2 FNPT	19	1 150#	20	2 150#		
C2F3N13M4	2.2	480	19	N/A	N/A	5-1/2	15	1 FNPT	17	2 FNPT	19	1 150#	20	2 150#		
C2F3N18M2	3	240	23	N/A	N/A	5-1/2	19	1 FNPT	21	2 FNPT	23	1 150#	24	2 150#		
C2F3N18M4	3	480	23	N/A	N/A	5-1/2	19	1 FNPT	21	2 FNPT	23	1 150#	24	2 150#		
C2F3N20M2	3.7	240	26	N/A	N/A	5-1/2	22	1 FNPT	24	2 FNPT	26	1 150#	27	2 150#		
C2F3N20M4	3.7	480	26	N/A	N/A	5-1/2	22	1 FNPT	24	2 FNPT	26	1 150#	27	2 150#		
C2F3N25M2	4.5	240	31	N/A	N/A	5-1/2	27	1 FNPT	29	2 FNPT	31	1 150#	32	2 150#		
C2F3N25M4	4.5	480	31	N/A	N/A	5-1/2	27	1 FNPT	29	2 FNPT	31	1 150#	32	2 150#		
C2F3N33M2	6	240	38	N/A	N/A	5-1/2	35	1 FNPT	37	2 FNPT	38	1 150#	39	2 150#		
C2F3N33M4	6	480	38	N/A	N/A	5-1/2	35	1 FNPT	37	2 FNPT	38	1 150#	39	2 150#		
C2F3N40M2	7.5	240	46	N/A	N/A	5-1/2	42	1 FNPT	44	2 FNPT	46	1 150#	47	2 150#		
C2F3N40M4	7.5	480	46	N/A	N/A	5-1/2	42	1 FNPT	44	2 FNPT	46	1 150#	47	2 150#		
C2F3N48M2	9	240	53	N/A	N/A	5-1/2	50	1 FNPT	52	2 FNPT	54	1 150#	55	2 150#		
C2F3N48M4	9	480	53	N/A	N/A	5-1/2	50	1 FNPT	52	2 FNPT	54	1 150#	55	2 150#		
C2F3N52M2	10	240	58	N/A	N/A	5-1/2	54	1 FNPT	56	2 FNPT	58	1 150#	59	2 150#		
C2F3N52M4	10	480	58	N/A	N/A	5-1/2	54	1 FNPT	56	2 FNPT	58	1 150#	59	2 150#		
C2F3N64M2	12.5	240	70	N/A	N/A	5-1/2	66	1 FNPT	68	2 FNPT	70	1 150#	71	2 150#		
C2F3N64M4	12.5	480	70	N/A	N/A	5-1/2	66	1 FNPT	68	2 FNPT	70	1 150#	71	2 150#		
C2F3N77M2	15	240	82	N/A	N/A	5-1/2	79	1 FNPT	81	2 FNPT	83	1 150#	84	2 150#		
C2F3N77M4	15	480	82	N/A	N/A	5-1/2	79	1 FNPT	81	2 FNPT	83	1 150#	84	2 150#		
C2F3N88M4	16.8	480	94	N/A	N/A	5-1/2	90	1 FNPT	92	2 FNPT	94	1 150#	95	2 150#		
C2F3N106M4	18.9	480	112	N/A	N/A	5-1/2	108	1 FNPT	110	2 FNPT	112	1 150#	113	2 150#		
C2F3N120M4	23.4	480	126	N/A	N/A	5-1/2	122	1 FNPT	124	2 FNPT	126	1 150#	127	2 150#		
C2F3N140M4	26	480	146	N/A	N/A	5-1/2	142	1 FNPT	144	2 FNPT	146	1 150#	147	2 150#		
C2F3N160M4	30	480	166	N/A	N/A	5-1/2	162	1 FNPT	164	2 FNPT	166	1 150#	167	2 150#		

**Diameter (in.): 3**

**Watt Density (w/sq.in.): 23**

GCI Circulation Heater Drawing No. IC-3 Dimensions (Inches) A, B, B1, C, D, E,							D = 4 E = 6		Nozzles Option 1		Nozzles Option 2		Nozzles Option 3		Nozzles Option 4	
Catalog Number	kW	Volt	A	B	C	F	B1	G1(in.)	B1	G2(in.)	B1	G3(in)	B1	G4(in)		
C3F3N18M2	3	240	24-1/2	14	9	6-1/2	21	1 FNPT	23	2 FNPT	25	1 150#	26	3 150#		
C3F3N18M4	3	480	24-1/2	14	9	6-1/2	21	1 FNPT	23	2 FNPT	25	1 150#	26	3 150#		
C3F3N20M2	3.8	240	26-1/2	16	11	6-1/2	23	1 FNPT	25	2 FNPT	27	1 150#	28	3 150#		
C3F3N20M4	3.8	480	26-1/2	16	11	6-1/2	23	1 FNPT	25	2 FNPT	27	1 150#	28	3 150#		
C3F3N25M2	4.5	240	31-1/2	21	16	6-1/2	28	1 FNPT	30	2 FNPT	32	1 150#	33	3 150#		
C3F3N25M4	4.5	480	31-1/2	21	16	6-1/2	28	1 FNPT	30	2 FNPT	32	1 150#	33	3 150#		
C3F3N33M2	6	240	39-1/2	29	24	6-1/2	36	1 FNPT	38	2 FNPT	40	1 150#	41	3 150#		
C3F3N33M4	6	480	39-1/2	29	24	6-1/2	36	1 FNPT	38	2 FNPT	40	1 150#	41	3 150#		
C3F3N40M2	7.5	240	46-1/2	36	31	6-1/2	43	1 FNPT	45	2 FNPT	47	1 150#	48	3 150#		
C3F3N40M4	7.5	480	46-1/2	36	31	6-1/2	43	1 FNPT	45	2 FNPT	47	1 150#	48	3 150#		
C3F3N48M2	9	240	54-1/2	44	39	6-1/2	51	1 FNPT	53	2 FNPT	55	1 150#	56	3 150#		

# Circulation Heaters

Type IC

**Diameter (in.): 3**

**Watt Density (w/sq.in.): 23**

GCI Circulation Heater Drawing No. IC-3 Dimensions (Inches) A, B, B1, C, D, E,							D = 4 E = 6		Nozzles Option 1		Nozzles Option 2		Nozzles Option 3		Nozzles Option 4	
Catalog Number	kW	Volt	A	B	C	F	B1	G1(in.)	B1	G2(in.)	B1	G3(in)	B1	G4(in)		
C3F3N48M4	9	480	54-1/2	44	39	6-1/2	51	1 FNPT	53	2 FNPT	55	1 150#	56	3 150#		
C3F3N52M2	10	240	58-1/2	48	43	6-1/2	55	1 FNPT	57	2 FNPT	59	1 150#	60	3 150#		
C3F3N52M4	10	480	58-1/2	48	43	6-1/2	55	1 FNPT	57	2 FNPT	59	1 150#	60	3 150#		
C3F3N64M2	12.5	240	70-1/2	60	55	6-1/2	67	1 FNPT	69	2 FNPT	71	1 150#	72	3 150#		
C3F3N64M4	12.5	480	70-1/2	60	55	6-1/2	67	1 FNPT	69	2 FNPT	71	1 150#	72	3 150#		
C3F3N77M2	15	240	84-1/2	73	69	6-1/2	81	1 FNPT	83	2 FNPT	85	1 150#	86	3 150#		
C3F3N77M4	15	480	84-1/2	73	69	6-1/2	81	1 FNPT	83	2 FNPT	85	1 150#	86	3 150#		
C3F3N88M4	17	480	94-1/2	84	79	6-1/2	91	1 FNPT	93	2 FNPT	95	1 150#	96	3 150#		
C3F3N106M4	19	480	112-1/2	102	97	6-1/2	109	1 FNPT	111	2 FNPT	113	1 150#	114	3 150#		
C3F3N120M4	24	480	126-1/2	116	111	6-1/2	123	1 FNPT	125	2 FNPT	127	1 150#	128	3 150#		
C3F3N140M4	26	480	146-1/2	136	131	6-1/2	143	1 FNPT	145	2 FNPT	147	1 150#	148	2 150#		
C3F3N160M4	30	480	166-1/2	156	151	6-1/2	163	1 FNPT	165	2 FNPT	167	1 150#	168	3 150#		
C3F3N180M4	34	480	186-1/2		171	6-1/2	183	1 FNPT	185	2 FNPT	187	1 150#	188	3 150#		

**Diameter (in.): 4**

**Watt Density (w/sq.in.): 23**

GCI Circulation Heater Drawing No. IC-3 Dimensions (Inches) A, B, B1, C, D, E,							D = 4 E = 6		Nozzles Option 1		Nozzles Option 2		Nozzles Option 3		Nozzles Option 4	
Catalog Number	kW	Volt	A	B	C	F	B1	G1(in.)	B1	G2(in.)	B1	G3(in)	B1	G4(in)		
C4F6N18M2	6	240	25	14	9	7-1/2	22	1 FNPT	23	2 FNPT	25	1 150#	26	3 150#		
C4F6N18M4	6	480	25	14	9	7-1/2	22	1 FNPT	23	2 FNPT	25	1 150#	26	3 150#		
C4F6N20M2	7.5	240	27	16	11	7-1/2	24	1 FNPT	25	2 FNPT	27	1 150#	28	3 150#		
C4F6N20M4	7.5	480	27	16	11	7-1/2	24	1 FNPT	25	2 FNPT	27	1 150#	28	3 150#		
C4F6N25M2	9	240	32	21	16	7-1/2	29	1 FNPT	30	2 FNPT	32	1 150#	33	3 150#		
C4F6N25M4	9	480	32	21	16	7-1/2	29	1 FNPT	30	2 FNPT	32	1 150#	33	3 150#		
C4F6N33M2	12	240	40	29	24	7-1/2	37	1 FNPT	38	2 FNPT	40	1 150#	41	3 150#		
C4F6N33M4	12	480	40	29	24	7-1/2	37	1 FNPT	38	2 FNPT	40	1 150#	41	3 150#		
C4F6N40M2	15	240	47	36	31	7-1/2	43	1 FNPT	44	2 FNPT	46	1 150#	47	3 150#		
C4F6N40M4	15	480	47	36	31	7-1/2	43	1 FNPT	44	2 FNPT	46	1 150#	47	3 150#		
C4F6N48M2	18	240	55	44	39	7-1/2	52	1 FNPT	53	2 FNPT	55	1 150#	56	3 150#		
C4F6N48M4	18	480	55	44	39	7-1/2	52	1 FNPT	53	2 FNPT	55	1 150#	56	3 150#		
C4F6N52M2	20	240	59	48	43	7-1/2	56	1 FNPT	57	2 FNPT	59	1 150#	60	3 150#		
C4F6N52M4	20	480	59	48	43	7-1/2	56	1 FNPT	57	2 FNPT	59	1 150#	60	3 150#		
C4F6N64M2	25	240	71	60	55	7-1/2	68	1 FNPT	69	2 FNPT	71	1 150#	72	3 150#		
C4F6N64M4	25	480	71	60	55	7-1/2	68	1 FNPT	69	2 FNPT	71	1 150#	72	3 150#		
C4F6N77M2	30	240	85	74	69	7-1/2	82	1 FNPT	83	2 FNPT	85	1 150#	86	3 150#		
C4F6N77M4	30	480	85	74	69	7-1/2	82	1 FNPT	83	2 FNPT	85	1 150#	86	3 150#		
C4F6N88M4	34	480	95	84	79	7-1/2	93	1 FNPT	94	2 FNPT	96	1 150#	97	3 150#		
C4F6N106M4	38	480	113	102	97	7-1/2	110	1 FNPT	111	2 FNPT	113	1 150#	114	3 150#		
C4F6N120M4	47	480	127	116	111	7-1/2	124	1 FNPT	125	2 FNPT	127	1 150#	128	3 150#		
C4F6N140M4	53	480	147	136	131	7-1/2	144	1 FNPT	145	2 FNPT	147	1 150#	148	3 150#		
C4F6N160M4	60	480	167	156	151	7-1/2	164	1 FNPT	165	2 FNPT	167	1 150#	168	3 150#		
C4F6N180M4	68	480	187	176	171	7-1/2	184	1 FNPT	185	2 FNPT	187	1 150#	188	3 150#		

# Circulation Heaters

Type IC

Diameter (in.): 5

Watt Density (w/sq.in.): 23

GCI Circulation Heater Drawing No. IC-3 Dimensions (Inches) A, B, B1, C, D, E,							D = 4-1/2 E = 8		Nozzles Option 1		Nozzles Option 2		Nozzles Option 3		Nozzles Option 4	
Catalog Number	kW	Volt	A	B	C	F	B1	G1(in.)	B1	G2(in.)	B1	G3(in)	B1	G4(in)		
C5F6N18M2	6	240	25-3/4	13-1/2	10	8-1/2	23	2 FNPT	24	2-1/2 FNPT	25	2 150#	26	3 150#		
C5F6N18M4	6	480	25-3/4	13-1/2	10	8-1/2	23	2 FNPT	24	2-1/2 FNPT	25	2 150#	26	3 150#		
C5F6N20M2	7.5	240	27-3/4	15-1/2	9-1/2	8-1/2	25	2 FNPT	26	2-1/2 FNPT	27	2 150#	28	3 150#		
C5F6N20M4	7.5	480	27-3/4	15-1/2	9-1/2	8-1/2	25	2 FNPT	26	2-1/2 FNPT	27	2 150#	28	3 150#		
C5F6N25M2	9	240	32-3/4	20-1/2	13-3/4	8-1/2	30	2 FNPT	31	2-1/2 FNPT	32	2 150#	33	3 150#		
C5F6N25M4	9	480	32-3/4	20-1/2	13-3/4	8-1/2	30	2 FNPT	31	2-1/2 FNPT	32	2 150#	33	3 150#		
C5F6N33M2	12	240	40-3/4	28-1/2	21-3/4	8-1/2	38	2 FNPT	39	2-1/2 FNPT	40	2 150#	41	3 150#		
C5F6N33M4	12	480	40-3/4	28-1/2	21-3/4	8-1/2	38	2 FNPT	39	2-1/2 FNPT	40	2 150#	41	3 150#		
C5F6N40M2	15	240	47-3/4	35-1/2	28-3/4	8-1/2	45	2 FNPT	46	2-1/2 FNPT	47	2 150#	48	3 150#		
C5F6N40M4	15	480	47-3/4	35-1/2	28-3/4	8-1/2	45	2 FNPT	46	2-1/2 FNPT	47	2 150#	48	3 150#		
C5F6N48M2	18	240	55-3/4	43-1/2	36-3/4	8-1/2	53	2 FNPT	54	2-1/2 FNPT	55	2 150#	56	3 150#		
C5F6N48M4	18	480	55-3/4	43-1/2	36-3/4	8-1/2	53	2 FNPT	54	2-1/2 FNPT	55	2 150#	56	3 150#		
C5F6N52M2	20	240	59-3/4	47-1/2	40-3/4	8-1/2	57	2 FNPT	58	2-1/2 FNPT	59	2 150#	60	3 150#		
C5F6N52M4	20	480	59-3/4	47-1/2	40-3/4	8-1/2	57	2 FNPT	58	2-1/2 FNPT	59	2 150#	60	3 150#		
C5F6N64M2	25	240	71-3/4	59-1/2	52-3/4	8-1/2	69	2 FNPT	70	2-1/2 FNPT	71	2 150#	72	3 150#		
C5F6N64M4	25	480	71-3/4	59-1/2	52-3/4	8-1/2	69	2 FNPT	70	2-1/2 FNPT	71	2 150#	72	3 150#		
C5F6N77M2	30	240	85-3/4	73-1/2	66-3/4	8-1/2	83	2 FNPT	84	2-1/2 FNPT	85	2 150#	86	3 150#		
C5F6N77M4	30	480	85-3/4	73-1/2	66-3/4	8-1/2	83	2 FNPT	84	2-1/2 FNPT	85	2 150#	86	3 150#		
C5F6N88M4	34	480	95-3/4	88-1/2	71-3/4	8-1/2	98	2 FNPT	99	2-1/2 FNPT	100	2 150#	101	3 150#		
C5F6N106M4	38	480	113-3/4	101-1/2	94-3/4	8-1/2	111	2 FNPT	112	2-1/2 FNPT	113	2 150#	114	3 150#		
C5F6N120M4	47	480	127-3/4	115-1/2	108-3/4	8-1/2	125	2 FNPT	126	2-1/2 FNPT	127	2 150#	128	3 150#		
C5F6N140M4	53	480	147-3/4	135-1/2	128-3/4	8-1/2	145	2 FNPT	146	2-1/2 FNPT	147	2 150#	148	3 150#		
C5F6N160M4	60	480	167-3/4	155-1/2	148-3/4	8-1/2	165	2 FNPT	166	2-1/2 FNPT	167	2 150#	168	3 150#		
C5F6N180M4	68	480	187-3/4	175-1/2	168-3/4	8-1/2	185	2 FNPT	186	2-1/2 FNPT	187	2 150#	188	3 150#		
C5F9N18M2	9	240	25-3/4	13-1/2	10	8-1/2	23	2 FNPT	24	2-1/2 FNPT	25	2 150#	26	3 150#		
C5F9N18M4	9	480	25-3/4	13-1/2	10	8-1/2	23	2 FNPT	24	2-1/2 FNPT	25	2 150#	26	3 150#		
C5F9N20M2	11.3	240	27-3/4	15-1/2	9-1/2	8-1/2	25	2 FNPT	26	2-1/2 FNPT	27	2 150#	28	3 150#		
C5F9N20M4	11.3	480	27-3/4	15-1/2	9-1/2	8-1/2	25	2 FNPT	26	2-1/2 FNPT	27	2 150#	28	3 150#		
C5F9N25M2	14	240	32-3/4	20-1/2	13-3/4	8-1/2	30	2 FNPT	31	2-1/2 FNPT	32	2 150#	33	3 150#		
C5F9N25M4	14	480	32-3/4	20-1/2	13-3/4	8-1/2	30	2 FNPT	31	2-1/2 FNPT	32	2 150#	33	3 150#		
C5F9N33M2	18	240	40-3/4	28-1/2	21-3/4	8-1/2	38	2 FNPT	39	2-1/2 FNPT	40	2 150#	41	3 150#		
C5F9N33M4	18	480	40-3/4	28-1/2	21-3/4	8-1/2	38	2 FNPT	39	2-1/2 FNPT	40	2 150#	41	3 150#		
C5F9N40M2	23	240	47-3/4	35-1/2	28-3/4	8-1/2	45	2 FNPT	46	2-1/2 FNPT	47	2 150#	48	3 150#		
C5F9N40M4	23	480	47-3/4	35-1/2	28-3/4	8-1/2	45	2 FNPT	46	2-1/2 FNPT	47	2 150#	48	3 150#		
C5F9N48M2	27	240	55-3/4	43-1/2	36-3/4	8-1/2	53	2 FNPT	54	2-1/2 FNPT	55	2 150#	56	3 150#		
C5F9N48M4	27	480	55-3/4	43-1/2	36-3/4	8-1/2	53	2 FNPT	54	2-1/2 FNPT	55	2 150#	56	3 150#		
C5F9N52M2	30	240	59-3/4	47-1/2	40-3/4	8-1/2	57	2 FNPT	58	2-1/2 FNPT	59	2 150#	60	3 150#		
C5F9N52M4	30	480	59-3/4	47-1/2	40-3/4	8-1/2	57	2 FNPT	58	2-1/2 FNPT	59	2 150#	60	3 150#		
C5F9N64M2	38	240	71-3/4	59-1/2	52-3/4	8-1/2	69	2 FNPT	70	2-1/2 FNPT	71	2 150#	72	3 150#		
C5F9N64M4	38	480	71-3/4	59-1/2	52-3/4	8-1/2	69	2 FNPT	70	2-1/2 FNPT	71	2 150#	72	3 150#		
C5F9N77M2	45	240	85-3/4	73-1/2	66-3/4	8-1/2	83	2 FNPT	84	2-1/2 FNPT	85	2 150#	86	3 150#		
C5F9N77M4	45	480	85-3/4	73-1/2	66-3/4	8-1/2	83	2 FNPT	84	2-1/2 FNPT	85	2 150#	86	3 150#		
C5F9N88M4	50	480	95-3/4	88-1/2	71-3/4	8-1/2	98	2 FNPT	99	2-1/2 FNPT	100	2 150#	101	3 150#		
C5F9N106M4	57	480	113-3/4	101-1/2	94-3/4	8-1/2	111	2 FNPT	112	2-1/2 FNPT	113	2 150#	114	3 150#		
C5F9N120M4	70	480	127-3/4	115-1/2	108-3/4	8-1/2	125	2 FNPT	126	2-1/2 FNPT	127	2 150#	128	3 150#		
C5F9N140M4	79	480	147-3/4	135-1/2	128-3/4	8-1/2	145	2 FNPT	146	2-1/2 FNPT	147	2 150#	148	3 150#		

# Circulation Heaters

Type IC

**Diameter (in.): 5**

**Watt Density (w/sq.in.): 23**

GCI Circulation Heater Drawing No. IC-3 Dimensions (Inches) A, B, B1, C, D, E,							D = 4-1/2 E = 8		Nozzles Option 1		Nozzles Option 2		Nozzles Option 3		Nozzles Option 4	
Catalog Number	kW	Volt	A	B	C	F	B1	G1(in.)	B1	G2(in.)	B1	G3(in)	B1	G4(in)		
C5F9N160M4	91	480	167-3/4	155-1/2	148-3/4	8-1/2	165	2 FNPT	166	2-1/2 FNPT	167	2 150#	168	3 150#		
C5F9N180M4	101	480	187-3/4	175-1/2	168-3/4	8-1/2	185	2 FNPT	186	2-1/2 FNPT	187	2 150#	188	3 150#		

**Diameter (in.): 6**

**Watt Density (w/sq.in.): 23**

GCI Circulation Heater Drawing No. IC-3 Dimensions (Inches) A, B, B1, C, D, E,							D = 4-1/2 E = 8		Nozzles Option 1		Nozzles Option 2		Nozzles Option 3		Nozzles Option 4	
Catalog Number	kW	Volt	A	B	C	F	B1	G1(in.)	B1	G2(in.)	B1	G3(in)	B1	G4(in)		
C6F12N18M2	12	240	26-1/4	13-1/2	10	9-5/8	24	2 FNPT	24	2-1/2 FNPT	26	2 150#	27	3 150#		
C6F12N18M4	12	480	26-1/4	13-1/2	10	9-5/8	24	2 FNPT	24	2-1/2 FNPT	26	2 150#	27	3 150#		
C6F12N20M2	15	240	28-1/4	15-1/2	9-1/2	9-5/8	26	2 FNPT	26	2-1/2 FNPT	28	2 150#	29	3 150#		
C6F12N20M4	15	480	28-1/4	15-1/2	9-1/2	9-5/8	26	2 FNPT	26	2-1/2 FNPT	28	2 150#	29	3 150#		
C6F12N25M2	18	240	33-1/4	20-1/2	13-3/4	9-5/8	31	2 FNPT	31	2-1/2 FNPT	33	2 150#	34	3 150#		
C6F12N25M4	18	480	33-1/4	20-1/2	13-3/4	9-5/8	31	2 FNPT	31	2-1/2 FNPT	33	2 150#	34	3 150#		
C6F12N33M2	24	240	41-1/4	28-1/2	21-3/4	9-5/8	39	2 FNPT	39	2-1/2 FNPT	41	2 150#	42	3 150#		
C6F12N33M4	24	480	41-1/4	28-1/2	21-3/4	9-5/8	39	2 FNPT	39	2-1/2 FNPT	41	2 150#	42	3 150#		
C6F12N40M2	30	240	48-1/4	35-1/2	28-3/4	9-5/8	46	2 FNPT	46	2-1/2 FNPT	48	2 150#	49	3 150#		
C6F12N40M4	30	480	48-1/4	35-1/2	28-3/4	9-5/8	46	2 FNPT	46	2-1/2 FNPT	48	2 150#	49	3 150#		
C6F12N48M2	36	240	55-1/4	43-1/2	33-3/4	9-5/8	54	2 FNPT	54	2-1/2 FNPT	56	2 150#	57	3 150#		
C6F12N48M4	36	480	55-1/4	43-1/2	33-3/4	9-5/8	54	2 FNPT	54	2-1/2 FNPT	56	2 150#	57	3 150#		
C6F12N52M2	40	240	60-1/4	47-1/2	40-3/4	9-5/8	58	2 FNPT	58	2-1/2 FNPT	60	2 150#	61	3 150#		
C6F12N52M4	40	480	60-1/4	47-1/2	40-3/4	9-5/8	58	2 FNPT	58	2-1/2 FNPT	60	2 150#	61	3 150#		
C6F12N64M2	50	240	72-1/4	59-1/2	52-3/4	9-5/8	70	2 FNPT	70	2-1/2 FNPT	72	2 150#	73	3 150#		
C6F12N64M4	50	480	72-1/4	59-1/2	52-3/4	9-5/8	70	2 FNPT	70	2-1/2 FNPT	72	2 150#	73	3 150#		
C6F12N77M2	60	240	86-1/4	73-1/2	66-3/4	9-5/8	84	2 FNPT	84	2-1/2 FNPT	86	2 150#	87	3 150#		
C6F12N77M4	60	480	86-1/4	73-1/2	66-3/4	9-5/8	84	2 FNPT	84	2-1/2 FNPT	86	2 150#	87	3 150#		
C6F12N88M4	67	480	96-1/4	83-1/2	76-3/4	9-5/8	94	2 FNPT	94	2-1/2 FNPT	96	2 150#	97	3 150#		
C6F12N106M4	76	480	114-1/4	101-1/2	94-3/4	9-5/8	112	2 FNPT	112	2-1/2 FNPT	114	2 150#	115	3 150#		
C6F12N120M4	94	480	128-1/4	115-1/2	108-3/4	9-5/8	126	2 FNPT	126	2-1/2 FNPT	128	2 150#	129	3 150#		
C6F12N140M4	105	480	148-1/4	135-1/2	128-3/4	9-5/8	146	2 FNPT	146	2-1/2 FNPT	148	2 150#	149	3 150#		
C6F12N160M4	121	480	168-1/4	155-1/2	148-3/4	9-5/8	166	2 FNPT	166	2-1/2 FNPT	168	2 150#	169	3 150#		
C6F12N180M4	135	480	188-1/4	175-1/2	168-3/4	9-5/8	186	2 FNPT	186	2-1/2 FNPT	188	2 150#	189	3 150#		
C6F15N18M2	15	240	26-1/4	13-1/2	10	9-5/8	24	2 FNPT	24	2-1/2 FNPT	26	2 150#	27	3 150#		
C6F15N18M4	15	480	26-1/4	13-1/2	10	9-5/8	24	2 FNPT	24	2-1/2 FNPT	26	2 150#	27	3 150#		
C6F15N20M2	19	240	28-1/4	15-1/2	9-1/2	9-5/8	26	2 FNPT	26	2-1/2 FNPT	28	2 150#	29	3 150#		
C6F15N20M4	19	480	28-1/4	15-1/2	9-1/2	9-5/8	26	2 FNPT	26	2-1/2 FNPT	28	2 150#	29	3 150#		
C6F15N25M2	23	240	33-1/4	20-1/2	13-3/4	9-5/8	31	2 FNPT	31	2-1/2 FNPT	33	2 150#	34	3 150#		
C6F15N25M4	23	480	33-1/4	20-1/2	13-3/4	9-5/8	31	2 FNPT	31	2-1/2 FNPT	33	2 150#	34	3 150#		
C6F15N33M2	30	240	41-1/4	28-1/2	21-3/4	9-5/8	39	2 FNPT	39	2-1/2 FNPT	41	2 150#	42	3 150#		
C6F15N33M4	30	480	41-1/4	28-1/2	21-3/4	9-5/8	39	2 FNPT	39	2-1/2 FNPT	41	2 150#	42	3 150#		
C6F15N40M2	38	240	48-1/4	35-1/2	28-3/4	9-5/8	46	2 FNPT	46	2-1/2 FNPT	48	2 150#	49	3 150#		
C6F15N40M4	38	480	48-1/4	35-1/2	28-3/4	9-5/8	46	2 FNPT	46	2-1/2 FNPT	48	2 150#	49	3 150#		
C6F15N48M2	45	240	55-1/4	43-1/2	33-3/4	9-5/8	54	2 FNPT	54	2-1/2 FNPT	56	2 150#	57	3 150#		
C6F15N48M4	45	480	55-1/4	43-1/2	33-3/4	9-5/8	54	2 FNPT	54	2-1/2 FNPT	56	2 150#	57	3 150#		
C6F15N52M2	50	240	60-1/4	47-1/2	40-3/4	9-5/8	58	2 FNPT	58	2-1/2 FNPT	60	2 150#	61	3 150#		
C6F15N52M4	50	480	60-1/4	47-1/2	40-3/4	9-5/8	58	2 FNPT	58	2-1/2 FNPT	60	2 150#	61	3 150#		

# Circulation Heaters

Type IC

Diameter (in.): 6

Watt Density (w/sq.in.): 23

GCI Circulation Heater Drawing No. IC-3 Dimensions (Inches) A, B, B1, C, D, E,							D = 4-1/2 E = 8		Nozzles Option 1		Nozzles Option 2		Nozzles Option 3		Nozzles Option 4	
Catalog Number	kW	Volt	A	B	C	F	B1	G1(in.)	B1	G2(in.)	B1	G3(in)	B1	G4(in)		
C6F15N64M2	63	240	72-1/4	59-1/2	52-3/4	9-5/8	70	2 FNPT	70	2-1/2 FNPT	72	2 150#	73	3 150#		
C6F15N64M4	63	480	72-1/4	59-1/2	52-3/4	9-5/8	70	2 FNPT	70	2-1/2 FNPT	72	2 150#	73	3 150#		
C6F15N77M2	75	240	86-1/4	73-1/2	66-3/4	9-5/8	84	2 FNPT	84	2-1/2 FNPT	86	2 150#	87	3 150#		
C6F15N77M4	75	480	86-1/4	73-1/2	66-3/4	9-5/8	84	2 FNPT	84	2-1/2 FNPT	86	2 150#	87	3 150#		
C6F15N88M4	84	480	96-1/4	83-1/2	76-3/4	9-5/8	94	2 FNPT	94	2-1/2 FNPT	96	2 150#	97	3 150#		
C6F15N106M4	95	480	114-1/4	101-1/2	94-3/4	9-5/8	112	2 FNPT	112	2-1/2 FNPT	114	2 150#	115	3 150#		
C6F15N120M4	117	480	128-1/4	115-1/2	108-3/4	9-5/8	126	2 FNPT	126	2-1/2 FNPT	128	2 150#	129	3 150#		
C6F15N140M4	131	480	148-1/4	135-1/2	128-3/4	9-5/8	146	2 FNPT	146	2-1/2 FNPT	148	2 150#	149	3 150#		
C6F15N160M4	151	480	168-1/4	155-1/2	148-3/4	9-5/8	166	2 FNPT	166	2-1/2 FNPT	168	2 150#	169	3 150#		
C6F15N180M4	169	480	188-1/4	175-1/2	168-3/4	9-5/8	186	2 FNPT	186	2-1/2 FNPT	188	2 150#	189	3 150#		

Diameter (in.): 8

Watt Density (w/sq.in.): 23

GCI Circulation Heater Drawing No. IC-3 Dimensions (Inches) A, B, B1, C, D, E,							D = 4-1/2 E = 8-1/2		Nozzles Option 1		Nozzles Option 2		Nozzles Option 3		Nozzles Option 4	
Catalog Number	kW	Volt	A	B	C	F	B1	G1(in.)	B1	G2(in.)	B1	G3(in)	B1	G4(in)		
C8F18N18M2	18	240	26-3/4	13-1/2	9-1/2	11-5/8	24	2 FNPT	25	2-1/2 FNPT	27	2 150#	27	3 150#		
C8F18N18M4	18	480	26-3/4	13-1/2	9-1/2	11-5/8	24	2 FNPT	25	2-1/2 FNPT	27	2 150#	27	3 150#		
C8F18N20M2	23	240	28-3/4	15-1/2	11-1/2	11-5/8	26	2 FNPT	27	2-1/2 FNPT	29	2 150#	29	3 150#		
C8F18N20M4	23	480	28-3/4	15-1/2	11-1/2	11-5/8	26	2 FNPT	27	2-1/2 FNPT	29	2 150#	29	3 150#		
C8F18N25M2	27	240	33-3/4	20-1/2	13-1/4	11-5/8	31	2 FNPT	32	2-1/2 FNPT	34	2 150#	34	3 150#		
C8F18N25M4	27	480	33-3/4	20-1/2	13-1/4	11-5/8	31	2 FNPT	32	2-1/2 FNPT	34	2 150#	34	3 150#		
C8F18N33M2	36	240	41-3/4	28-1/2	21-1/4	11-5/8	39	2 FNPT	40	2-1/2 FNPT	42	2 150#	42	3 150#		
C8F18N33M4	36	480	41-3/4	28-1/2	21-1/4	11-5/8	39	2 FNPT	40	2-1/2 FNPT	42	2 150#	42	3 150#		
C8F18N40M2	45	240	48-3/4	35-1/2	28-1/4	11-5/8	46	2 FNPT	47	2-1/2 FNPT	49	2 150#	49	3 150#		
C8F18N40M4	45	480	48-3/4	35-1/2	28-1/4	11-5/8	46	2 FNPT	47	2-1/2 FNPT	49	2 150#	49	3 150#		
C8F18N48M2	54	240	56-3/4	43-1/2	36-1/4	11-5/8	54	2 FNPT	55	2-1/2 FNPT	57	2 150#	57	3 150#		
C8F18N48M4	54	480	56-3/4	43-1/2	36-1/4	11-5/8	54	2 FNPT	55	2-1/2 FNPT	57	2 150#	57	3 150#		
C8F18N52M2	60	240	61-1/4	47	39-1/4	11-5/8	58	2 FNPT	59	2-1/2 FNPT	60	2 150#	61	3 150#		
C8F18N52M4	60	480	61-1/4	47	39-1/4	11-5/8	58	2 FNPT	59	2-1/2 FNPT	60	2 150#	61	3 150#		
C8F18N64M2	77	240	73-1/4	59	51-1/4	11-5/8	70	2 FNPT	71	2-1/2 FNPT	72	2 150#	73	3 150#		
C8F18N64M4	77	480	73-1/4	59	51-1/4	11-5/8	70	2 FNPT	71	2-1/2 FNPT	72	2 150#	73	3 150#		
C8F18N77M2	90	240	87-1/4	73	65-1/4	11-5/8	84	2 FNPT	85	2-1/2 FNPT	86	2 150#	87	3 150#		
C8F18N77M4	90	480	87-1/4	73	65-1/4	11-5/8	84	2 FNPT	85	2-1/2 FNPT	86	2 150#	87	3 150#		
C8F18N88M4	101	480	97-1/4	83	75-1/4	11-5/8	94	2 FNPT	95	2-1/2 FNPT	96	2 150#	97	3 150#		
C8F18N106M4	114	480	115-1/4	101	93-1/4	11-5/8	112	2 FNPT	113	2-1/2 FNPT	114	2 150#	115	3 150#		
C8F18N120M4	140	480	123-1/4	115	107-1/4	11-5/8	126	2 FNPT	127	2-1/2 FNPT	128	2 150#	129	3 150#		
C8F18N140M4	157	480	149-1/4	135	127-1/4	11-5/8	146	2 FNPT	147	2-1/2 FNPT	148	2 150#	149	3 150#		
C8F18N160M4	181	480	169-1/4	155	147-1/4	11-5/8	166	2 FNPT	167	2-1/2 FNPT	168	2 150#	169	3 150#		
C8F18N180M4	203	480	189-1/4	175	167-1/4	11-5/8	186	2 FNPT	187	2-1/2 FNPT	188	2 150#	189	3 150#		
C8F24N18M2	24	240	26-3/4	13-1/2	9-1/2	11-5/8	24	2 FNPT	25	2-1/2 FNPT	27	2 150#	27	3 150#		
C8F24N18M4	24	480	26-3/4	13-1/2	9-1/2	11-5/8	24	2 FNPT	25	2-1/2 FNPT	27	2 150#	27	3 150#		
C8F24N20M2	30	240	28-3/4	15-1/2	11-1/2	11-5/8	26	2 FNPT	27	2-1/2 FNPT	29	2 150#	29	3 150#		
C8F24N20M4	30	480	28-3/4	15-1/2	11-1/2	11-5/8	26	2 FNPT	27	2-1/2 FNPT	29	2 150#	29	3 150#		
C8F24N25M2	36	240	33-3/4	20-1/2	13-1/4	11-5/8	31	2 FNPT	32	2-1/2 FNPT	34	2 150#	34	3 150#		
C8F24N25M4	36	480	33-3/4	20-1/2	13-1/4	11-5/8	31	2 FNPT	32	2-1/2 FNPT	34	2 150#	34	3 150#		

# Circulation Heaters

Type IC

Diameter (in.): 8

Watt Density (w/sq.in.): 23

GCI Circulation Heater Drawing No. IC-3 Dimensions (Inches) A, B, B1, C, D, E,							D = 4-1/2 E = 8-1/2		Nozzles Option 1		Nozzles Option 2		Nozzles Option 3		Nozzles Option 4	
Catalog Number	kW	Volt	A	B	C	F	B1	G1(in.)	B1	G2(in.)	B1	G3(in)	B1	G4(in)		
C8F24N33M2	48	240	41-3/4	28-1/2	21-1/4	11-5/8	39	2 FNPT	40	2-1/2 FNPT	42	2 150#	42	3 150#		
C8F24N33M4	48	480	41-3/4	28-1/2	21-1/4	11-5/8	39	2 FNPT	40	2-1/2 FNPT	42	2 150#	42	3 150#		
C8F24N40M2	60	240	48-3/4	35-1/2	28-1/4	11-5/8	46	2 FNPT	47	2-1/2 FNPT	49	2 150#	49	3 150#		
C8F24N40M4	60	480	48-3/4	35-1/2	28-1/4	11-5/8	46	2 FNPT	47	2-1/2 FNPT	49	2 150#	49	3 150#		
C8F24N48M2	72	240	56-3/4	43-1/2	36-1/4	11-5/8	54	2 FNPT	55	2-1/2 FNPT	57	2 150#	57	3 150#		
C8F24N48M4	72	480	56-3/4	43-1/2	36-1/4	11-5/8	54	2 FNPT	55	2-1/2 FNPT	57	2 150#	57	3 150#		
C8F24N52M2	80	240	61-1/4	47	39-1/4	11-5/8	58	2 FNPT	59	2-1/2 FNPT	60	2 150#	61	3 150#		
C8F24N52M4	80	480	61-1/4	47	39-1/4	11-5/8	58	2 FNPT	59	2-1/2 FNPT	60	2 150#	61	3 150#		
C8F24N64M2	102	240	73-1/4	59	51-1/4	11-5/8	70	2 FNPT	71	2-1/2 FNPT	72	2 150#	73	3 150#		
C8F24N64M4	102	480	73-1/4	59	51-1/4	11-5/8	70	2 FNPT	71	2-1/2 FNPT	72	2 150#	73	3 150#		
C8F24N77M2	120	240	87-1/4	73	65-1/4	11-5/8	84	2 FNPT	85	2-1/2 FNPT	86	2 150#	87	3 150#		
C8F24N77M4	120	480	87-1/4	73	65-1/4	11-5/8	84	2 FNPT	85	2-1/2 FNPT	86	2 150#	87	3 150#		
C8F24N88M4	135	480	97-1/4	83	75-1/4	11-5/8	94	2 FNPT	95	2-1/2 FNPT	96	2 150#	97	3 150#		
C8F24N106M4	151	480	115-1/4	101	93-1/4	11-5/8	112	2 FNPT	113	2-1/2 FNPT	114	2 150#	115	3 150#		
C8F24N120M4	188	480	123-1/4	115	107-1/4	11-5/8	126	2 FNPT	127	2-1/2 FNPT	128	2 150#	129	3 150#		
C8F24N140M4	210	480	149-1/4	135	127-1/4	11-5/8	146	2 FNPT	147	2-1/2 FNPT	148	2 150#	149	3 150#		
C8F24N160M4	242	480	169-1/4	155	147-1/4	11-5/8	166	2 FNPT	167	2-1/2 FNPT	168	2 150#	169	3 150#		
C8F24N180M4	270	480	189-1/4	175	167-1/4	11-5/8	186	2 FNPT	187	2-1/2 FNPT	188	2 150#	189	3 150#		

Diameter (in.): 10

Watt Density (w/sq.in.): 23

GCI Circulation Heater Drawing No. IC-3 Dimensions (Inches) A, B, B1, C, D, E,							D = 6-3/4 E = 10		Nozzles Option 1		Nozzles Option 2		Nozzles Option 3		Nozzles Option 4	
Catalog Number	kW	Volt	A	B	C	F	B1	G1(in.)	B1	G2(in.)	B1	G3(in)	B1	G4(in)		
C10F27N33M4	54	480	49-1/2	30-1/4	31-3/4	15	45	3 150#	46	4 150#	47	6 150#	48	8 150#		
C10F27N52M4	90	480	63-1/4	45-1/4	46-3/4	15	60	3 150#	61	4 150#	62	6 150#	63	8 150#		
C10F27N64M4	115	480	75-1/4	57-1/4	58-3/4	15	72	3 150#	73	4 150#	74	6 150#	75	8 150#		
C10F27N77M4	135	480	89-1/4	71-1/4	72-3/4	15	86	3 150#	87	4 150#	88	6 150#	89	8 150#		
C10F27N88M4	151	480	99-1/4	81-1/4	82-3/4	15	96	3 150#	97	4 150#	98	6 150#	99	8 150#		
C10F27N106M4	170	480	117-1/4	99-1/4	100-3/4	15	114	3 150#	115	4 150#	116	6 150#	117	8 150#		
C10F27N120M4	210	480	131-1/4	113-1/4	114-3/4	15	128	3 150#	129	4 150#	130	6 150#	131	8 150#		
C10F36N33M4	72	480	49-1/2	30-1/4	31-3/4	15	45	3 150#	46	4 150#	47	6 150#	48	8 150#		
C10F36N52M4	120	480	63-1/4	45-1/4	46-3/4	15	60	3 150#	61	4 150#	62	6 150#	63	8 150#		
C10F36N64M4	153	480	75-1/4	57-1/4	58-3/4	15	72	3 150#	73	4 150#	74	6 150#	75	8 150#		
C10F36N77M4	180	480	89-1/4	71-1/4	72-3/4	15	86	3 150#	87	4 150#	88	6 150#	89	8 150#		
C10F36N88M4	202	480	99-1/4	81-1/4	82-3/4	15	96	3 150#	97	4 150#	98	6 150#	99	8 150#		
C10F36N106M4	227	480	117-1/4	99-1/4	100-3/4	15	114	3 150#	115	4 150#	116	6 150#	117	8 150#		
C10F36N120M4	281	480	131-1/4	113-1/4	114-3/4	15	128	3 150#	129	4 150#	130	6 150#	131	8 150#		
C10F36N140M4	315	480	151-1/4	133-1/4	134-3/4	15	149	3 150#	149	4 150#	150	6 150#	151	8 150#		
C10F36N160M4	362	480	171-1/4	153-1/4	154-3/4	15	168	3 150#	169	4 150#	170	6 150#	171	8 150#		
C10F36N180M4	811	480	191-1/4	173-1/4	174-3/4	15	188	3 150#	189	4 150#	190	6 150#	191	8 150#		

# Circulation Heaters

Type IC

Diameter (in.): 12

Watt Density (w/sq.in.): 23

GCI Circulation Heater Drawing No. IC-3 Dimensions (Inches) A, B, B1, C, D, E,							D = 6 E = 10		Nozzles Option 1		Nozzles Option 2		Nozzles Option 3		Nozzles Option 4	
Catalog Number	kW	Volt	A	B	C	F	B1	G1(in.)	B1	G2(in.)	B1	G3(in)	B1	G4(in)		
C12F36N33M4	72	480	44-1/4	27	19-1/4	15	42	3 150#	43	4 150#	44	6 150#	45	8 150#		
C12F36N52M4	120	480	63-1/4	46	37-1/4	16	61	3 150#	62	4 150#	63	6 150#	64	8 150#		
C12F36N64M4	153	480	75-1/4	58	49-1/4	16	73	3 150#	74	4 150#	75	6 150#	76	8 150#		
C12F36N77M4	180	480	89-1/4	72	63-1/4	16	92	3 150#	93	4 150#	94	6 150#	95	8 150#		
C12F36N88M4	202	480	99-1/4	82	73-1/4	16	97	3 150#	98	4 150#	99	6 150#	100	8 150#		
C12F36N106M4	227	480	117-1/4	100	91-1/4	16	115	3 150#	116	4 150#	117	6 150#	118	8 150#		
C12F36N120M4	280	480	131-1/4	114	105-1/4	16	129	3 150#	130	4 150#	131	6 150#	132	8 150#		
C12F36N140M4	315	480	151-1/4	134	129-1/4	16	149	3 150#	150	4 150#	151	6 150#	152	8 150#		
C12F36N160M4	362	480	171-1/4	154	145-1/4	16	169	3 150#	170	4 150#	171	6 150#	172	8 150#		
C12F36N180M4	405	480	191-1/4	174	165-1/4	16	189	3 150#	190	4 150#	191	6 150#	192	8 150#		
C12F48N33M4	96	480	44-1/4	27	19-1/4	15	42	3 150#	43	4 150#	44	6 150#	45	8 150#		
C12F48N52M4	160	480	63-1/4	46	37-1/4	16	61	3 150#	62	4 150#	63	6 150#	64	8 150#		
C12F48N64M4	204	480	75-1/4	58	49-1/4	16	73	3 150#	74	4 150#	75	6 150#	76	8 150#		
C12F48N77M4	240	480	89-1/4	72	63-1/4	16	92	3 150#	93	4 150#	94	6 150#	95	8 150#		
C12F48N88M4	268	480	99-1/4	82	73-1/4	16	97	3 150#	98	4 150#	99	6 150#	100	8 150#		
C12F48N106M4	303	480	117-1/4	100	91-1/4	16	115	3 150#	116	4 150#	117	6 150#	118	8 150#		
C12F48N120M4	375	480	131-1/4	114	105-1/4	16	129	3 150#	130	4 150#	131	6 150#	132	8 150#		
C12F48N140M4	414	480	151-1/4	134	129-1/4	16	149	3 150#	150	4 150#	151	6 150#	152	8 150#		
C12F48N160M4	476	480	171-1/4	154	145-1/4	16	169	3 150#	170	4 150#	171	6 150#	172	8 150#		
C12F48N180M4	540	480	191-1/4	174	165-1/4	16	189	3 150#	190	4 150#	191	6 150#	192	8 150#		

Diameter (in.): 14

Watt Density (w/sq.in.): 23

GCI Circulation Heater Drawing No. IC-3 Dimensions (Inches) A, B, B1, C, D, E,							D = 8 E = 10		Nozzles Option 1		Nozzles Option 2		Nozzles Option 3		Nozzles Option 4	
Catalog Number	kW	Volt	A	B	C	F	B1	G1(in.)	B1	G2(in.)	B1	G3(in)	B1	G4(in)		
C14F48N140M4	420	480	151-3/4	134	129-1/4	17	150	3 150#	151	4 150#	152	6 150#	153	8 150#		
C14F48N160M4	483	480	171-1/4	154	145-1/4	17	170	3 150#	171	4 150#	172	6 150#	173	8 150#		
C14F48N180M4	540	480	191-3/4	174	165-1/4	17	190	3 150#	191	4 150#	192	6 150#	193	8 150#		
C14F54N52M4	180	480	63-3/4	46	37-1/4	17	62	3 150#	63	4 150#	64	6 150#	65	8 150#		
C14F54N64M4	230	480	75-3/4	58	49-1/4	17	74	3 150#	75	4 150#	76	6 150#	77	8 150#		
C14F54N77M4	270	480	89-3/4	72	63-1/4	17	87	3 150#	88	4 150#	89	6 150#	90	8 150#		
C14F54N88M4	303	480	99-3/4	82	73-1/4	17	98	3 150#	99	4 150#	100	6 150#	101	8 150#		
C14F54N106M4	340	480	117-3/4	100	91-1/4	17	116	3 150#	117	4 150#	118	6 150#	119	8 150#		
C14F54N120M4	421	480	131-3/4	114	105-1/4	17	130	3 150#	131	4 150#	132	6 150#	133	8 150#		
C14F54N140M4	472	480	151-3/4	134	129-1/4	17	150	3 150#	151	4 150#	152	6 150#	153	8 150#		
C14F54N160M4	542	480	171-1/4	154	145-1/4	17	170	3 150#	171	4 150#	172	6 150#	173	8 150#		
C14F54N180M4	608	480	191-3/4	174	165-1/4	17	190	3 150#	191	4 150#	192	6 150#	193	8 150#		
C14F60N52M4	200	480	63-3/4	46	37-1/4	17	62	3 150#	63	4 150#	64	6 150#	65	8 150#		
C14F60N64M4	255	480	75-3/4	58	49-1/4	17	74	3 150#	75	4 150#	76	6 150#	77	8 150#		
C14F60N77M4	300	480	89-3/4	72	63-1/4	17	87	3 150#	88	4 150#	89	6 150#	90	8 150#		
C14F60N88M4	336	480	99-3/4	82	73-1/4	17	98	3 150#	99	4 150#	100	6 150#	101	8 150#		
C14F60N106M4	378	480	117-3/4	100	91-1/4	17	116	3 150#	117	4 150#	118	6 150#	119	8 150#		
C14F60N120M4	468	480	131-3/4	114	105-1/4	17	130	3 150#	131	4 150#	132	6 150#	133	8 150#		
C14F60N140M4	525	480	151-3/4	134	129-1/4	17	150	3 150#	151	4 150#	152	6 150#	153	8 150#		
C14F60N160M4	603	480	171-1/4	154	145-1/4	17	170	3 150#	171	4 150#	172	6 150#	173	8 150#		

# Circulation Heaters

Type IC

**Diameter (in.): 14**

**Watt Density (w/sq.in.): 23**

GCI Circulation Heater Drawing No. IC-3 Dimensions (Inches) A, B, B1, C, D, E,							D = 8 E = 10		Nozzles Option 1		Nozzles Option 2		Nozzles Option 3		Nozzles Option 4	
Catalog Number	kW	Volt	A	B	C	F	B1	G1(in.)	B1	G2(in.)	B1	G3(in)	B1	G4(in)		
C14F60N180M4	675	480	191-3/4	174	165-1/4	17	190	3 150#	191	4 150#	192	6 150#	193	8 150#		
C14F72N52M4	240	480	63-3/4	46	37-1/4	17	62	3 150#	63	4 150#	64	6 150#	65	8 150#		
C14F72N64M4	306	480	75-3/4	58	49-1/4	17	74	3 150#	75	4 150#	76	6 150#	77	8 150#		
C14F72N77M4	360	480	89-3/4	72	63-1/4	17	87	3 150#	88	4 150#	89	6 150#	90	8 150#		
C14F72N88M4	403	480	99-3/4	82	73-1/4	17	98	3 150#	99	4 150#	100	6 150#	101	8 150#		
C14F72N106M4	454	480	117-3/4	100	91-1/4	17	116	3 150#	117	4 150#	118	6 150#	119	8 150#		
C14F72N120M4	562	480	131-3/4	114	105-1/4	17	130	3 150#	131	4 150#	132	6 150#	133	8 150#		
C14F72N140M4	630	480	151-3/4	134	129-1/4	17	150	3 150#	151	4 150#	152	6 150#	153	8 150#		
C14F72N160M4	724	480	171-1/4	154	145-1/4	17	170	3 150#	171	4 150#	172	6 150#	173	8 150#		
C14F72N180M4	810	480	191-3/4	174	165-1/4	17	190	3 150#	191	4 150#	192	6 150#	193	8 150#		

**Diameter (in.): 16**

**Watt Density (w/sq.in.): 23**

GCI Circulation Heater Drawing No. IC-3 Dimensions (Inches) A, B, B1, C, D, E,							D = 8-1/2 E = 10		Nozzles Option 1		Nozzles Option 2		Nozzles Option 3		Nozzles Option 4	
Catalog Number	kW	Volt	A	B	C	F	B1	G1(in.)	B1	G2(in.)	B1	G3(in)	B1	G4(in)		
C16F84N140M4	735	480	154-1/4	131-1/2	123-1/4	19	148	3 150#	149	4 150#	150	6 150#	151	8 150#		
C16F84N160M4	844	480	174-1/4	151-1/2	143-1/4	19	168	3 150#	169	4 150#	170	6 150#	171	8 150#		
C16F84N180M4	945	480	194-1/4	171-1/2	164-1/4	19	188	3 150#	189	4 150#	190	6 150#	193	8 150#		

**Diameter (in.): 18**

**Watt Density (w/sq.in.): 23**

GCI Circulation Heater Drawing No. IC-3 Dimensions (Inches) A, B, B1, C, D, E,							D = 9-1/2 E = 12		Nozzles Option 1		Nozzles Option 2		Nozzles Option 3		Nozzles Option 4	
Catalog Number	kW	Volt	A	B	C	F	B1	G1(in.)	B1	G2(in.)	B1	G3(in)	B1	G4(in)		
C18F108N140M4	945	480	156-1/2	130-1/2	120	21	147	3 150#	148	4 150#	149	6 150#	151	8 150#		
C18F108N160M4	1086	480	176-1/2	150-1/2	140	21	167	3 150#	168	4 150#	169	6 150#	171	8 150#		
C18F108N180M4	1215	480	196-1/2	170-1/2	160	21	187	3 150#	188	4 150#	189	6 150#	191	8 150#		

**Diameter (in.): 20**

**Watt Density (w/sq.in.): 23**

GCI Circulation Heater Drawing No. IC-3 Dimensions (Inches) A, B, B1, C, D, E,							D = 9-3/4 E = 12		Nozzles Option 1		Nozzles Option 2		Nozzles Option 3		Nozzles Option 4	
Catalog Number	kW	Volt	A	B	C	F	B1	G1(in.)	B1	G2(in.)	B1	G3(in)	B1	G4(in)		
C20F144N140M4	1260	480	157-1/2	130-1/4	120	23	149	3 150#	150	4 150#	151	6 150#	153	8 150#		
C20F144N160M4	1447	480	177-1/2	150-1/4	140	23	169	3 150#	170	4 150#	171	6 150#	173	8 150#		
C20F144N180M4	1620	480	197-1/2	170-1/4	160	23	189	3 150#	190	4 150#	191	6 150#	193	8 150#		

**Diameter (in.): 24**

**Watt Density (w/sq.in.): 23**

GCI Circulation Heater Drawing No. IC-3 Dimensions (Inches) A, B, B1, C, D, E,							D = 10-1/2 E = 12		Nozzles Option 1		Nozzles Option 2		Nozzles Option 3		Nozzles Option 4	
Catalog Number	kW	Volt	A	B	C	F	B1	G1(in.)	B1	G2(in.)	B1	G3(in)	B1	G4(in)		
C24F192N140M4	1680	480	160	129-1/2	119	27	150	6 150#	151	8 150#	152	10 150#	154	12 150#		

# Circulation Heaters

Type IC

Diameter (in.): 24

Watt Density (w/sq.in.): 23

GCI Circulation Heater Drawing No. IC-3 Dimensions (Inches) A, B, B1, C, D, E,							D = 10-1/2 E = 12		Nozzles Option 1		Nozzles Option 2		Nozzles Option 3		Nozzles Option 4	
Catalog Number	kW	Volt	A	B	C	F	B1	G1(in.)	B1	G2(in.)	B1	G3(in)	B1	G4(in)		
C24F192N160M4	1930	480	180	149-1/2	139	27	170	6 150#	171	8 150#	172	10 150#	174	12 150#		
C24F192N180M4	2160	480	200	169-1/2	159	27	190	6 150#	191	8 150#	192	10 150#	194	12 150#		

# Circulation Heaters

Type IC

## Watt Density: 20

**Diameter (in.): 2.5**

**Watt Density (w/sq.in.): 20**

GCI Circulation Heater Drawing No. IC-3 Dimensions (Inches) A, B, B1, C, D, E,							D = 3 E = N/A		Nozzles Option 1		Nozzles Option 2		Nozzles Option 3		Nozzles Option 4	
Catalog Number	kW	Volt	A	B	C	F	B1	G1(in.)	B1	G2(in.)	B1	G3(in)	B1	G4(in)		
C2F3N18B2Y	2.7	240	24	N/A	N/A	5-1/2	20	1 FNPT	22	2 FNPT	24	1 150#	25	2 150#		
C2F3N18B4Y	2.7	480	24	N/A	N/A	5-1/2	20	1 FNPT	22	2 FNPT	24	1 150#	25	2 150#		
C2F3N20B2Y	2.9	240	26	N/A	N/A	5-1/2	22	1 FNPT	24	2 FNPT	26	1 150#	27	2 150#		
C2F3N20B4Y	2.9	480	26	N/A	N/A	5-1/2	22	1 FNPT	24	2 FNPT	26	1 150#	27	2 150#		
C2F3N25B2Y	4	240	31	N/A	N/A	5-1/2	27	1 FNPT	29	2 FNPT	31	1 150#	32	2 150#		
C2F3N25B4Y	4	480	31	N/A	N/A	5-1/2	27	1 FNPT	29	2 FNPT	31	1 150#	32	2 150#		
C2F3N33B2Y	5	240	39	N/A	N/A	5-1/2	35	1 FNPT	37	2 FNPT	39	1 150#	40	2 150#		
C2F3N33B4Y	5	480	39	N/A	N/A	5-1/2	35	1 FNPT	37	2 FNPT	39	1 150#	40	2 150#		
C2F3N43B2Y	6.7	240	49	N/A	N/A	5-1/2	45	1 FNPT	47	2 FNPT	49	1 150#	50	2 150#		
C2F3N43B4Y	6.7	480	49	N/A	N/A	5-1/2	45	1 FNPT	47	2 FNPT	49	1 150#	50	2 150#		
C2F3N52B2Y	8.3	240	58	N/A	N/A	5-1/2	54	1 FNPT	56	2 FNPT	58	1 150#	59	2 150#		
C2F3N52B4Y	8.3	480	58	N/A	N/A	5-1/2	54	1 FNPT	56	2 FNPT	58	1 150#	59	2 150#		
C2F3N61B2Y	10	240	67	N/A	N/A	5-1/2	63	1 FNPT	65	2 FNPT	67	1 150#	68	2 150#		
C2F3N61B4Y	10	480	67	N/A	N/A	5-1/2	63	1 FNPT	65	2 FNPT	67	1 150#	68	2 150#		
C2F3N88B4Y	15	480	94	N/A	N/A	5-1/2	90	1 FNPT	92	2 FNPT	94	1 150#	95	2 150#		
C2F3N106B4Y	16.7	480	112	N/A	N/A	5-1/2	108	1 FNPT	110	2 FNPT	112	1 150#	113	2 150#		
C2F3N120B4Y	19	480	126	N/A	N/A	5-1/2	122	1 FNPT	124	2 FNPT	126	1 150#	127	2 150#		

**Diameter (in.): 3**

**Watt Density (w/sq.in.): 20**

GCI Circulation Heater Drawing No. IC-3 Dimensions (Inches) A, B, B1, C, D, E,							D = 4 E = 6		Nozzles Option 1		Nozzles Option 2		Nozzles Option 3		Nozzles Option 4	
Catalog Number	kW	Volt	A	B	C	F	B1	G1(in.)	B1	G2(in.)	B1	G3(in)	B1	G4(in)		
C3F3N18B2Y	2.7	240	24-1/2	N/A	9	6-1/2	21	1 FNPT	23	2 FNPT	25	1 150#	26	3 150#		
C3F3N18B4Y	2.7	480	24-1/2	N/A	9	6-1/2	21	1 FNPT	23	2 FNPT	25	1 150#	26	3 150#		
C3F3N20B2Y	3.3	240	26-1/2	N/A	11	6-1/2	23	1 FNPT	25	2 FNPT	27	1 150#	28	3 150#		
C3F3N20B4Y	3.3	480	26-1/2	N/A	11	6-1/2	23	1 FNPT	25	2 FNPT	27	1 150#	28	3 150#		
C3F3N25B2Y	4	240	31-1/2	N/A	16	6-1/2	28	1 FNPT	30	2 FNPT	32	1 150#	33	3 150#		
C3F3N25B4Y	4	480	31-1/2	N/A	16	6-1/2	28	1 FNPT	30	2 FNPT	32	1 150#	33	3 150#		
C3F3N33B2Y	5	240	39-1/2	N/A	24	6-1/2	36	1 FNPT	38	2 FNPT	40	1 150#	41	3 150#		
C3F3N33B4Y	5	480	39-1/2	N/A	24	6-1/2	36	1 FNPT	38	2 FNPT	40	1 150#	41	3 150#		
C3F3N43B2Y	6.7	240	49-1/2	N/A	34	6-1/2	46	1 FNPT	48	2 FNPT	50	1 150#	51	3 150#		
C3F3N43B4Y	6.7	480	49-1/2	N/A	34	6-1/2	46	1 FNPT	48	2 FNPT	50	1 150#	51	3 150#		
C3F3N52B2Y	8.3	240	54-1/2	N/A	39	6-1/2	55	1 FNPT	57	2 FNPT	59	1 150#	60	3 150#		
C3F3N52B4Y	8.3	480	54-1/2	N/A	39	6-1/2	55	1 FNPT	57	2 FNPT	59	1 150#	60	3 150#		
C3F3N61B2Y	10	240	67-1/2	N/A	52	6-1/2	64	1 FNPT	66	2 FNPT	68	1 150#	69	3 150#		
C3F3N61B4Y	10	480	67-1/2	N/A	52	6-1/2	64	1 FNPT	66	2 FNPT	68	1 150#	69	3 150#		
C3F3N88B4Y	15	480	94-1/2	N/A	79	6-1/2	91	1 FNPT	93	2 FNPT	95	1 150#	96	3 150#		
C3F3N106B4Y	17	480	112-1/2	N/A	97	6-1/2	109	1 FNPT	111	2 FNPT	113	1 150#	114	3 150#		
C3F3N120B4Y	19	480	126-1/2	N/A	111	6-1/2	123	1 FNPT	125	2 FNPT	127	1 150#	128	3 150#		

# Circulation Heaters

Type IC

**Diameter (in.): 4**

**Watt Density (w/sq.in.): 20**

GCI Circulation Heater Drawing No. IC-3 Dimensions (Inches) A, B, B1, C, D, E,							D = 4 E = 6		Nozzles Option 1		Nozzles Option 2		Nozzles Option 3		Nozzles Option 4	
Catalog Number	kW	Volt	A	B	C	F	B1	G1(in.)	B1	G2(in.)	B1	G3(in)	B1	G4(in)		
C4F6N18B2Y	5.3	240	25	14	9	7-1/2	22	1 FNPT	23	2 FNPT	25	1 150#	26	3 150#		
C4F6N18B4Y	5.3	480	25	14	9	7-1/2	22	1 FNPT	23	2 FNPT	25	1 150#	26	3 150#		
C4F6N20B2Y	6.7	240	27	16	11	7-1/2	24	1 FNPT	25	2 FNPT	27	1 150#	28	3 150#		
C4F6N20B4Y	6.7	480	27	16	11	7-1/2	24	1 FNPT	25	2 FNPT	27	1 150#	28	3 150#		
C4F6N25B2Y	8	240	32	21	16	7-1/2	29	1 FNPT	30	2 FNPT	32	1 150#	33	3 150#		
C4F6N25B4Y	8	480	32	21	16	7-1/2	29	1 FNPT	30	2 FNPT	32	1 150#	33	3 150#		
C4F6N33B2Y	10	240	40	29	24	7-1/2	37	1 FNPT	38	2 FNPT	40	1 150#	41	3 150#		
C4F6N33B4Y	10	480	40	29	24	7-1/2	37	1 FNPT	38	2 FNPT	40	1 150#	41	3 150#		
C4F6N43B2Y	13	240	50	39	34	7-1/2	47	1 FNPT	48	2 FNPT	50	1 150#	51	3 150#		
C4F6N43B4Y	13	480	50	39	34	7-1/2	47	1 FNPT	48	2 FNPT	50	1 150#	51	3 150#		
C4F6N52B2Y	17	240	55	48	39	7-1/2	56	1 FNPT	57	2 FNPT	59	1 150#	60	3 150#		
C4F6N52B4Y	17	480	59	48	43	7-1/2	56	1 FNPT	57	2 FNPT	59	1 150#	60	3 150#		
C4F6N61B2Y	20	240	68	57	52	7-1/2	65	1 FNPT	66	2 FNPT	68	1 150#	69	3 150#		
C4F6N61B4Y	20	480	68	57	52	7-1/2	65	1 FNPT	66	2 FNPT	68	1 150#	69	3 150#		
C4F6N88B4Y	30	480	95	84	79	7-1/2	93	1 FNPT	94	2 FNPT	96	1 150#	97	3 150#		
C4F6N106B4Y	33	480	113	102	97	7-1/2	110	1 FNPT	111	2 FNPT	113	1 150#	114	3 150#		
C4F6N120B4Y	38	480	127	116	111	7-1/2	124	1 FNPT	125	2 FNPT	127	1 150#	128	3 150#		

**Diameter (in.): 5**

**Watt Density (w/sq.in.): 20**

GCI Circulation Heater Drawing No. IC-3 Dimensions (Inches) A, B, B1, C, D, E,							D = 4-1/2 E = 8		Nozzles Option 1		Nozzles Option 2		Nozzles Option 3		Nozzles Option 4	
Catalog Number	kW	Volt	A	B	C	F	B1	G1(in.)	B1	G2(in.)	B1	G3(in)	B1	G4(in)		
C5F6N18B2Y	5.3	240	25-3/4	13-1/2	10	8-1/2	23	2 FNPT	24	2-1/2 FNPT	25	2 150#	26	3 150#		
C5F6N18B4Y	5.3	480	25-3/4	13-1/2	10	8-1/2	23	2 FNPT	24	2-1/2 FNPT	25	2 150#	26	3 150#		
C5F6N20B2Y	6.7	240	27-3/4	15-1/2	9-1/2	8-1/2	25	2 FNPT	26	2-1/2 FNPT	27	2 150#	28	3 150#		
C5F6N20B4Y	6.7	480	27-3/4	15-1/2	9-1/2	8-1/2	25	2 FNPT	26	2-1/2 FNPT	27	2 150#	28	3 150#		
C5F6N25B2Y	8	240	32-3/4	20-1/2	13-3/4	8-1/2	30	2 FNPT	31	2-1/2 FNPT	32	2 150#	33	3 150#		
C5F6N25B4Y	8	480	32-3/4	20-1/2	13-3/4	8-1/2	30	2 FNPT	31	2-1/2 FNPT	32	2 150#	33	3 150#		
C5F6N33B2Y	10	240	40-3/4	28-1/2	21-3/4	8-1/2	38	2 FNPT	39	2-1/2 FNPT	40	2 150#	41	3 150#		
C5F6N33B4Y	10	480	40-3/4	28-1/2	21-3/4	8-1/2	38	2 FNPT	39	2-1/2 FNPT	40	2 150#	41	3 150#		
C5F6N43B2Y	13	240	50-3/4	38-1/2	31-3/4	8-1/2	48	2 FNPT	49	2-1/2 FNPT	50	2 150#	51	3 150#		
C5F6N43B4Y	13	480	50-3/4	38-1/2	31-3/4	8-1/2	48	2 FNPT	49	2-1/2 FNPT	50	2 150#	51	3 150#		
C5F6N52B2Y	17	240	55-3/4	47-1/2	36-3/4	8-1/2	57	2 FNPT	58	2-1/2 FNPT	59	2 150#	60	3 150#		
C5F6N52B4Y	17	480	55-3/4	47-1/2	36-3/4	8-1/2	57	2 FNPT	58	2-1/2 FNPT	59	2 150#	60	3 150#		
C5F6N61B2Y	20	240	68-3/4	56-1/2	49-3/4	8-1/2	66	2 FNPT	67	2-1/2 FNPT	68	2 150#	69	3 150#		
C5F6N61B4Y	20	480	68-3/4	56-1/2	49-3/4	8-1/2	66	2 FNPT	67	2-1/2 FNPT	68	2 150#	69	3 150#		
C5F6N88B4Y	30	480	95-3/4	88-1/2	71-3/4	8-1/2	98	2 FNPT	99	2-1/2 FNPT	100	2 150#	101	3 150#		
C5F6N106B4Y	33	480	113-3/4	101-1/2	94-3/4	8-1/2	111	2 FNPT	112	2-1/2 FNPT	113	2 150#	114	3 150#		
C5F6N120B4Y	38	480	127-3/4	115-1/2	108-3/4	8-1/2	125	2 FNPT	126	2-1/2 FNPT	127	2 150#	128	3 150#		
C5F9N18B2Y	8	240	25-3/4	13-1/2	10	8-1/2	23	2 FNPT	24	2-1/2 FNPT	25	2 150#	26	3 150#		
C5F9N18B4Y	8	480	25-3/4	13-1/2	10	8-1/2	23	2 FNPT	24	2-1/2 FNPT	25	2 150#	26	3 150#		
C5F9N20B2Y	10	240	27-3/4	15-1/2	9-1/2	8-1/2	25	2 FNPT	26	2-1/2 FNPT	27	2 150#	28	3 150#		
C5F9N20B4Y	10	480	27-3/4	15-1/2	9-1/2	8-1/2	25	2 FNPT	26	2-1/2 FNPT	27	2 150#	28	3 150#		
C5F9N25B2Y	12	240	32-3/4	20-1/2	13-3/4	8-1/2	30	2 FNPT	31	2-1/2 FNPT	32	2 150#	33	3 150#		
C5F9N25B4Y	12	480	32-3/4	20-1/2	13-3/4	8-1/2	30	2 FNPT	31	2-1/2 FNPT	32	2 150#	33	3 150#		

# Circulation Heaters

Type IC

**Diameter (in.): 5**

**Watt Density (w/sq.in.): 20**

GCI Circulation Heater Drawing No. IC-3 Dimensions (Inches) A, B, B1, C, D, E,							D = 4-1/2 E = 8		Nozzles Option 1		Nozzles Option 2		Nozzles Option 3		Nozzles Option 4	
Catalog Number	kW	Volt	A	B	C	F	B1	G1(in.)	B1	G2(in.)	B1	G3(in)	B1	G4(in)		
C5F9N33B2Y	15	240	40-3/4	28-1/2	21-3/4	8-1/2	38	2 FNPT	39	2-1/2 FNPT	40	2 150#	41	3 150#		
C5F9N33B4Y	15	480	40-3/4	28-1/2	21-3/4	8-1/2	38	2 FNPT	39	2-1/2 FNPT	40	2 150#	41	3 150#		
C5F9N43B2Y	20	240	50-3/4	38-1/2	31-3/4	8-1/2	48	2 FNPT	49	2-1/2 FNPT	50	2 150#	51	3 150#		
C5F9N43B4Y	20	480	50-3/4	38-1/2	31-3/4	8-1/2	48	2 FNPT	49	2-1/2 FNPT	50	2 150#	51	3 150#		
C5F9N52B2Y	25	240	55-3/4	47-1/2	36-3/4	8-1/2	57	2 FNPT	58	2-1/2 FNPT	59	2 150#	60	3 150#		
C5F9N52B4Y	25	480	55-3/4	47-1/2	40-3/4	8-1/2	57	2 FNPT	58	2-1/2 FNPT	59	2 150#	60	3 150#		
C5F9N61B2Y	30	240	68-3/4	56-1/2	49-3/4	8-1/2	66	2 FNPT	67	2-1/2 FNPT	68	2 150#	69	3 150#		
C5F9N61B4Y	30	480	68-3/4	56-1/2	49-3/4	8-1/2	66	2 FNPT	67	2-1/2 FNPT	68	2 150#	69	3 150#		
C5F9N88B4Y	45	480	95-3/4	88-1/2	71-3/4	8-1/2	98	2 FNPT	99	2-1/2 FNPT	100	2 150#	101	3 150#		
C5F9N106B4Y	50	480	113-3/4	101-1/2	94-3/4	8-1/2	111	2 FNPT	112	2-1/2 FNPT	113	2 150#	114	3 150#		
C5F9N120B4Y	57	480	127-3/4	115-1/2	108-3/4	8-1/2	125	2 FNPT	126	2-1/2 FNPT	127	2 150#	128	3 150#		

**Diameter (in.): 6**

**Watt Density (w/sq.in.): 20**

GCI Circulation Heater Drawing No. IC-3 Dimensions (Inches) A, B, B1, C, D, E,							D = 4-1/2 E = 8		Nozzles Option 1		Nozzles Option 2		Nozzles Option 3		Nozzles Option 4	
Catalog Number	kW	Volt	A	B	C	F	B1	G1(in.)	B1	G2(in.)	B1	G3(in)	B1	G4(in)		
C6F12N18B2Y	10.7	240	26-1/4	13-1/2	10	9-5/8	24	2 FNPT	24	2-1/2 FNPT	26	2 150#	27	3 150#		
C6F12N18B4Y	10.7	480	26-1/4	13-1/2	10	9-5/8	24	2 FNPT	24	2-1/2 FNPT	26	2 150#	27	3 150#		
C6F12N20B2Y	13	240	28-1/4	15-1/2	9-1/2	9-5/8	26	2 FNPT	26	2-1/2 FNPT	28	2 150#	29	3 150#		
C6F12N20B4Y	13	480	28-1/4	15-1/2	9-1/2	9-5/8	26	2 FNPT	26	2-1/2 FNPT	28	2 150#	29	3 150#		
C6F12N25B2Y	16	240	33-1/4	20-1/2	13-3/4	9-5/8	31	2 FNPT	31	2-1/2 FNPT	33	2 150#	34	3 150#		
C6F12N25B4Y	16	480	33-1/4	20-1/2	13-3/4	9-5/8	31	2 FNPT	31	2-1/2 FNPT	33	2 150#	34	3 150#		
C6F12N33B2Y	20	240	41-1/4	28-1/2	21-3/4	9-5/8	39	2 FNPT	39	2-1/2 FNPT	41	2 150#	42	3 150#		
C6F12N33B4Y	20	480	41-1/4	28-1/2	21-3/4	9-5/8	39	2 FNPT	39	2-1/2 FNPT	41	2 150#	42	3 150#		
C6F12N43B2Y	27	240	50-1/4	38-1/2	28-2/4	9-5/8	49	2 FNPT	49	2-1/2 FNPT	51	2 150#	52	3 150#		
C6F12N43B4Y	27	480	50-1/4	38-1/2	28-2/4	9-5/8	49	2 FNPT	49	2-1/2 FNPT	51	2 150#	52	3 150#		
C6F12N52B2Y	33	240	55-1/4	47-1/2	33-3/4	9-5/8	58	2 FNPT	58	2-1/2 FNPT	60	2 150#	61	3 150#		
C6F12N52B4Y	33	480	60-1/4	47-1/2	40-3/4	9-5/8	58	2 FNPT	58	2-1/2 FNPT	60	2 150#	61	3 150#		
C6F12N61B2Y	40	240	69-1/4	56-1/2	49-3/4	9-5/8	67	2 FNPT	67	2-1/2 FNPT	69	2 150#	70	3 150#		
C6F12N61B4Y	40	480	69-1/4	56-1/2	49-3/4	9-5/8	67	2 FNPT	67	2-1/2 FNPT	69	2 150#	70	3 150#		
C6F12N88B4Y	59	480	96-1/4	83-1/2	76-3/4	9-5/8	94	2 FNPT	94	2-1/2 FNPT	96	2 150#	97	3 150#		
C6F12N106B4Y	67	480	114-1/4	101-1/2	94-3/4	9-5/8	112	2 FNPT	112	2-1/2 FNPT	114	2 150#	115	3 150#		
C6F12N120B4Y	76	480	128-1/4	115-1/2	108-3/4	9-5/8	126	2 FNPT	126	2-1/2 FNPT	128	2 150#	129	3 150#		
C6F15N18B2Y	13	240	26-1/4	13-1/2	10	9-5/8	24	2 FNPT	24	2-1/2 FNPT	26	2 150#	27	3 150#		
C6F15N18B4Y	13	480	26-1/4	13-1/2	10	9-5/8	24	2 FNPT	24	2-1/2 FNPT	26	2 150#	27	3 150#		
C6F15N20B2Y	17	240	28-1/4	15-1/2	9-1/2	9-5/8	26	2 FNPT	26	2-1/2 FNPT	28	2 150#	29	3 150#		
C6F15N20B4Y	17	480	28-1/4	15-1/2	9-1/2	9-5/8	26	2 FNPT	26	2-1/2 FNPT	28	2 150#	29	3 150#		
C6F15N25B2Y	20	240	33-1/4	20-1/2	13-3/4	9-5/8	31	2 FNPT	31	2-1/2 FNPT	33	2 150#	34	3 150#		
C6F15N25B4Y	20	480	33-1/4	20-1/2	13-3/4	9-5/8	31	2 FNPT	31	2-1/2 FNPT	33	2 150#	34	3 150#		
C6F15N33B2Y	25	240	41-1/4	28-1/2	21-3/4	9-5/8	39	2 FNPT	39	2-1/2 FNPT	41	2 150#	42	3 150#		
C6F15N33B4Y	25	480	41-1/4	28-1/2	21-3/4	9-5/8	39	2 FNPT	39	2-1/2 FNPT	41	2 150#	42	3 150#		
C6F15N43B2Y	33	240	50-1/4	38-1/2	28-2/4	9-5/8	49	2 FNPT	49	2-1/2 FNPT	51	2 150#	52	3 150#		
C6F15N43B4Y	33	480	50-1/4	38-1/2	28-2/4	9-5/8	49	2 FNPT	49	2-1/2 FNPT	51	2 150#	52	3 150#		
C6F15N52B2Y	42	240	55-1/4	47-1/2	33-3/4	9-5/8	58	2 FNPT	58	2-1/2 FNPT	60	2 150#	61	3 150#		
C6F15N52B4Y	42	480	55-1/4	47-1/2	33-3/4	9-5/8	58	2 FNPT	58	2-1/2 FNPT	60	2 150#	61	3 150#		

# Circulation Heaters

Type IC

**Diameter (in.): 6**

**Watt Density (w/sq.in.): 20**

GCI Circulation Heater Drawing No. IC-3 Dimensions (Inches) A, B, B1, C, D, E,							D = 4-1/2 E = 8		Nozzles Option 1		Nozzles Option 2		Nozzles Option 3		Nozzles Option 4	
Catalog Number	kW	Volt	A	B	C	F	B1	G1(in.)	B1	G2(in.)	B1	G3(in)	B1	G4(in)		
C6F15N61B2Y	50	240	69-1/4	56-1/2	49-3/4	9-5/8	67	2 FNPT	67	2-1/2 FNPT	69	2 150#	70	3 150#		
C6F15N61B4Y	50	480	69-1/4	56-1/2	49-3/4	9-5/8	67	2 FNPT	67	2-1/2 FNPT	69	2 150#	70	3 150#		
C6F15N88B4Y	74	480	96-1/4	83-1/2	76-3/4	9-5/8	94	2 FNPT	94	2-1/2 FNPT	96	2 150#	97	3 150#		
C6F15N106B4Y	84	480	114-1/4	101-1/2	94-3/4	9-5/8	112	2 FNPT	112	2-1/2 FNPT	114	2 150#	115	3 150#		
C6F15N120B4Y	95	480	128-1/4	115-1/2	108-3/4	9-5/8	126	2 FNPT	126	2-1/2 FNPT	128	2 150#	129	3 150#		

**Diameter (in.): 8**

**Watt Density (w/sq.in.): 20**

GCI Circulation Heater Drawing No. IC-3 Dimensions (Inches) A, B, B1, C, D, E,							D = 4-1/2 E = 8-1/2		Nozzles Option 1		Nozzles Option 2		Nozzles Option 3		Nozzles Option 4	
Catalog Number	kW	Volt	A	B	C	F	B1	G1(in.)	B1	G2(in.)	B1	G3(in)	B1	G4(in)		
C8F18N18B2Y	16	240	26-3/4	13-1/2	9-1/2	11-5/8	24	2 FNPT	25	2-1/2 FNPT	27	2 150#	27	3 150#		
C8F18N18B4Y	16	480	26-3/4	13-1/2	9-1/2	11-5/8	24	2 FNPT	25	2-1/2 FNPT	27	2 150#	27	3 150#		
C8F18N20B2Y	20	240	28-3/4	15-1/2	11-1/2	11-5/8	26	2 FNPT	27	2-1/2 FNPT	29	2 150#	29	3 150#		
C8F18N20B4Y	20	480	28-3/4	15-1/2	11-1/2	11-5/8	26	2 FNPT	27	2-1/2 FNPT	29	2 150#	29	3 150#		
C8F18N25B2Y	24	240	33-3/4	20-1/2	13-1/4	11-5/8	31	2 FNPT	32	2-1/2 FNPT	34	2 150#	34	3 150#		
C8F18N25B4Y	24	480	33-3/4	20-1/2	13-1/4	11-5/8	31	2 FNPT	32	2-1/2 FNPT	34	2 150#	34	3 150#		
C8F18N33B2Y	30	240	41-3/4	28-1/2	21-1/4	11-5/8	39	2 FNPT	40	2-1/2 FNPT	42	2 150#	42	3 150#		
C8F18N33B4Y	30	480	41-3/4	28-1/2	21-1/4	11-5/8	39	2 FNPT	40	2-1/2 FNPT	42	2 150#	42	3 150#		
C8F18N43B2Y	40	240	51-3/4	38-1/2	31-1/4	11-5/8	49	2 FNPT	50	2-1/2 FNPT	52	2 150#	52	3 150#		
C8F18N43B4Y	40	480	51-3/4	38-1/2	31-1/4	11-5/8	49	2 FNPT	50	2-1/2 FNPT	52	2 150#	52	3 150#		
C8F18N52B2Y	50	240	56-3/4	47	36-1/4	11-5/8	58	2 FNPT	59	2-1/2 FNPT	60	2 150#	61	3 150#		
C8F18N52B4Y	50	480	61-1/4	47	39-1/4	11-5/8	58	2 FNPT	59	2-1/2 FNPT	60	2 150#	61	3 150#		
C8F18N61B2Y	60	240	70-1/4	56	48-1/4	11-5/8	67	2 FNPT	68	2-1/2 FNPT	69	2 150#	70	3 150#		
C8F18N61B4Y	60	480	70-1/4	56	48-1/4	11-5/8	67	2 FNPT	68	2-1/2 FNPT	69	2 150#	70	3 150#		
C8F18N88B4Y	89	480	97-1/4	83	75-1/4	11-5/8	94	2 FNPT	95	2-1/2 FNPT	96	2 150#	97	3 150#		
C8F18N106B4Y	100	480	115-1/4	101	93-1/4	11-5/8	112	2 FNPT	113	2-1/2 FNPT	114	2 150#	115	3 150#		
C8F18N120B4Y	114	480	123-1/4	115	107-1/4	11-5/8	126	2 FNPT	127	2-1/2 FNPT	128	2 150#	129	3 150#		
C8F24N18B2Y	22	240	26-3/4	13-1/2	9-1/2	11-5/8	24	2 FNPT	25	2-1/2 FNPT	27	2 150#	27	3 150#		
C8F24N18B4Y	22	480	26-3/4	13-1/2	9-1/2	11-5/8	24	2 FNPT	25	2-1/2 FNPT	27	2 150#	27	3 150#		
C8F24N20B2Y	27	240	28-3/4	15-1/2	11-1/2	11-5/8	26	2 FNPT	27	2-1/2 FNPT	29	2 150#	29	3 150#		
C8F24N20B4Y	27	480	28-3/4	15-1/2	11-1/2	11-5/8	26	2 FNPT	27	2-1/2 FNPT	29	2 150#	29	3 150#		
C8F24N25B2Y	32	240	33-3/4	20-1/2	13-1/4	11-5/8	31	2 FNPT	32	2-1/2 FNPT	34	2 150#	34	3 150#		
C8F24N25B4Y	32	480	33-3/4	20-1/2	13-1/4	11-5/8	31	2 FNPT	32	2-1/2 FNPT	34	2 150#	34	3 150#		
C8F24N33B2Y	40	240	41-3/4	28-1/2	21-1/4	11-5/8	39	2 FNPT	40	2-1/2 FNPT	42	2 150#	42	3 150#		
C8F24N33B4Y	40	480	41-3/4	28-1/2	21-1/4	11-5/8	39	2 FNPT	40	2-1/2 FNPT	42	2 150#	42	3 150#		
C8F24N43B2Y	53	240	51-3/4	38-1/2	31-1/4	11-5/8	49	2 FNPT	50	2-1/2 FNPT	52	2 150#	52	3 150#		
C8F24N43B4Y	53	480	51-3/4	38-1/2	31-1/4	11-5/8	49	2 FNPT	50	2-1/2 FNPT	52	2 150#	52	3 150#		
C8F24N52B2Y	67	240	56-3/4	47	36-1/4	11-5/8	58	2 FNPT	59	2-1/2 FNPT	60	2 150#	61	3 150#		
C8F24N52B4Y	67	480	61-1/4	47	39-1/4	11-5/8	58	2 FNPT	59	2-1/2 FNPT	60	2 150#	61	3 150#		
C8F24N61B2Y	80	240	70-1/4	56	48-1/4	11-5/8	67	2 FNPT	68	2-1/2 FNPT	69	2 150#	70	3 150#		
C8F24N61B4Y	80	480	70-1/4	56	48-1/4	11-5/8	67	2 FNPT	68	2-1/2 FNPT	69	2 150#	70	3 150#		
C8F24N88B4Y	118	480	97-1/4	83	75-1/4	11-5/8	94	2 FNPT	95	2-1/2 FNPT	96	2 150#	97	3 150#		
C8F24N106B4Y	133	480	115-1/4	101	93-1/4	11-5/8	112	2 FNPT	113	2-1/2 FNPT	114	2 150#	115	3 150#		
C8F24N120B4Y	151	480	123-1/4	115	107-1/4	11-5/8	126	2 FNPT	127	2-1/2 FNPT	128	2 150#	129	3 150#		

# Circulation Heaters

Type IC

Diameter (in.): 10

Watt Density (w/sq.in.): 20

GCI Circulation Heater Drawing No. IC-3 Dimensions (Inches) A, B, B1, C, D, E,							D = 6-3/4 E = 10		Nozzles Option 1		Nozzles Option 2		Nozzles Option 3		Nozzles Option 4	
Catalog Number	kW	Volt	A	B	C	F	B1	G1(in.)	B1	G2(in.)	B1	G3(in)	B1	G4(in)		
C10F27N52B4Y	75	480	63-1/4	45-1/4	46-3/4	15	60	3 150#	61	4 150#	62	6 150#	63	8 150#		
C10F27N61B4Y	90	480	72-1/4	54-1/4	53-3/4	15	69	3 150#	70	4 150#	71	6 150#	72	8 150#		
C10F27N88B4Y	133	480	99-1/4	81-1/4	82-3/4	15	96	3 150#	97	4 150#	98	6 150#	99	8 150#		
C10F27N106B4Y	151	480	117-1/4	99-1/4	100-3/4	15	114	3 150#	115	4 150#	116	6 150#	117	8 150#		
C10F27N120B4Y	171	480	131-1/4	113-1/4	114-3/4	15	128	3 150#	129	4 150#	130	6 150#	131	8 150#		
C10F30N33B4Y	50	480	49-1/2	30-1/4	31-3/4	15	45	3 150#	46	4 150#	47	6 150#	48	8 150#		
C10F30N43B4Y	67	480	59-1/2	40-1/4	41-3/4	15	55	3 150#	56	4 150#	57	6 150#	58	8 150#		
C10F30N52B4Y	83	480	63-1/4	45-1/4	46-3/4	15	60	3 150#	61	4 150#	62	6 150#	63	8 150#		
C10F30N61B4Y	100	480	72-1/4	54-1/4	53-3/4	15	69	3 150#	70	4 150#	71	6 150#	72	8 150#		
C10F30N88B4Y	148	480	99-1/4	81-1/4	82-3/4	15	96	3 150#	97	4 150#	98	6 150#	99	8 150#		
C10F30N106B4Y	167	480	117-1/4	99-1/4	100-3/4	15	114	3 150#	115	4 150#	116	6 150#	117	8 150#		
C10F30N120B4Y	190	480	131-1/4	113-1/4	114-3/4	15	128	3 150#	129	4 150#	130	6 150#	131	8 150#		
C10F36N33B4Y	60	480	49-1/2	30-1/4	31-3/4	15	45	3 150#	46	4 150#	47	6 150#	48	8 150#		
C10F36N43B4Y	80	480	59-1/2	40-1/4	41-3/4	15	55	3 150#	56	4 150#	57	6 150#	58	8 150#		
C10F36N52B4Y	100	480	63-1/4	45-1/4	46-3/4	15	60	3 150#	61	4 150#	62	6 150#	63	8 150#		
C10F36N61B4Y	120	480	72-1/4	54-1/4	53-3/4	15	69	3 150#	70	4 150#	71	6 150#	72	8 150#		
C10F36N88B4Y	178	480	99-1/4	81-1/4	82-3/4	15	96	3 150#	97	4 150#	98	6 150#	99	8 150#		
C10F36N106B4Y	200	480	117-1/4	99-1/4	100-3/4	15	114	3 150#	115	4 150#	116	6 150#	117	8 150#		
C10F36N120B4Y	228	480	131-1/4	113-1/4	114-3/4	15	128	3 150#	129	4 150#	130	6 150#	131	8 150#		

Diameter (in.): 12

Watt Density (w/sq.in.): 20

GCI Circulation Heater Drawing No. IC-3 Dimensions (Inches) A, B, B1, C, D, E,							D = 6 E = 10		Nozzles Option 1		Nozzles Option 2		Nozzles Option 3		Nozzles Option 4	
Catalog Number	kW	Volt	A	B	C	F	B1	G1(in.)	B1	G2(in.)	B1	G3(in)	B1	G4(in)		
C12F36N52B4Y	100	480	63-1/4	46	37-1/4	16	61	3 150#	62	4 150#	63	6 150#	64	8 150#		
C12F36N61B4Y	120	480	72-1/4	55	46-1/4	16	70	3 150#	71	4 150#	72	6 150#	73	8 150#		
C12F36N88B4Y	178	480	99-1/4	82	73-1/4	16	97	3 150#	98	4 150#	99	6 150#	100	8 150#		
C12F36N106B4Y	200	480	117-1/4	100	91-1/4	16	115	3 150#	116	4 150#	117	6 150#	118	8 150#		
C12F36N120B4Y	228	480	131-1/4	114	105-1/4	16	129	3 150#	130	4 150#	131	6 150#	132	8 150#		
C12F48N33B4Y	80	480	44-1/4	27	19-1/4	15	42	3 150#	43	4 150#	44	6 150#	45	8 150#		
C12F48N43B4Y	107	480	54-1/4	37	29-1/4	15	52	3 150#	53	4 150#	54	6 150#	55	8 150#		
C12F48N52B4Y	133	480	63-1/4	46	37-1/4	16	61	3 150#	62	4 150#	63	6 150#	64	8 150#		
C12F48N61B4Y	160	480	72-1/4	55	46-1/4	16	70	3 150#	71	4 150#	72	6 150#	73	8 150#		
C12F48N88B4Y	237	480	99-1/4	82	73-1/4	16	97	3 150#	98	4 150#	99	6 150#	100	8 150#		
C12F48N106B4Y	267	480	117-1/4	100	91-1/4	16	115	3 150#	116	4 150#	117	6 150#	118	8 150#		
C12F48N120B4Y	304	480	131-1/4	114	105-1/4	16	129	3 150#	130	4 150#	131	6 150#	132	8 150#		

Diameter (in.): 14

Watt Density (w/sq.in.): 20

GCI Circulation Heater Drawing No. IC-3 Dimensions (Inches) A, B, B1, C, D, E,							D = 6 E = 10		Nozzles Option 1		Nozzles Option 2		Nozzles Option 3		Nozzles Option 4	
Catalog Number	kW	Volt	A	B	C	F	B1	G1(in.)	B1	G2(in.)	B1	G3(in)	B1	G4(in)		
C14F48N52B4Y	133	480	63-3/4	46	37-1/4	17	62	3 150#	63	4 150#	64	6 150#	65	8 150#		
C14F48N61B4Y	160	480	72-3/4	55	46-1/4	17	71	3 150#	72	4 150#	73	6 150#	74	8 150#		

# Circulation Heaters

Type IC

Diameter (in.): 14

Watt Density (w/sq.in.): 20

GCI Circulation Heater Drawing No. IC-3						D = 6		Nozzles		Nozzles		Nozzles		Nozzles	
Dimensions (Inches) A, B, B1, C, D, E,						E = 10		Option 1		Option 2		Option 3		Option 4	
Catalog Number	kW	Volt	A	B	C	F	B1	G1(in.)	B1	G2(in.)	B1	G3(in)	B1	G4(in)	
C14F48N88B4Y	237	480	99-3/4	82	73-1/4	17	98	3 150#	99	4 150#	100	6 150#	101	8 150#	
C14F48N106B4Y	268	480	117-3/4	100	91-1/4	17	116	3 150#	117	4 150#	118	6 150#	119	8 150#	
C14F48N120B4Y	304	480	131-3/4	114	105-1/4	17	130	3 150#	131	4 150#	132	6 150#	133	8 150#	
C14F54N33B4Y	90	480	44-3/4	27	18-1/4	17	43	3 150#	44	4 150#	45	6 150#	46	8 150#	
C14F54N43B4Y	120	480	54-3/4	37	28-1/4	17	53	3 150#	54	4 150#	55	6 150#	56	8 150#	
C14F54N52B4Y	150	480	63-3/4	46	37-1/4	17	62	3 150#	63	4 150#	64	6 150#	65	8 150#	
C14F54N61B4Y	180	480	72-3/4	55	46-1/4	17	71	3 150#	72	4 150#	73	6 150#	74	8 150#	
C14F54N88B4Y	266	480	99-3/4	82	73-1/4	17	98	3 150#	99	4 150#	100	6 150#	101	8 150#	
C14F54N106B4Y	300	480	117-3/4	100	91-1/4	17	116	3 150#	117	4 150#	118	6 150#	119	8 150#	
C14F54N120B4Y	341	480	131-3/4	114	105-1/4	17	130	3 150#	131	4 150#	132	6 150#	133	8 150#	
C14F60N33B4Y	100	480	44-3/4	27	18-1/4	17	43	3 150#	44	4 150#	45	6 150#	46	8 150#	
C14F60N43B4Y	133	480	54-3/4	37	28-1/4	17	53	3 150#	54	4 150#	55	6 150#	56	8 150#	
C14F60N52B4Y	167	480	63-3/4	46	37-1/4	17	62	3 150#	63	4 150#	64	6 150#	65	8 150#	
C14F60N61B4Y	200	480	72-3/4	55	46-1/4	17	71	3 150#	72	4 150#	73	6 150#	74	8 150#	
C14F60N88B4Y	296	480	99-3/4	82	73-1/4	17	98	3 150#	99	4 150#	100	6 150#	101	8 150#	
C14F60N106B4Y	334	480	117-3/4	100	91-1/4	17	116	3 150#	117	4 150#	118	6 150#	119	8 150#	
C14F60N120B4Y	380	480	131-3/4	114	105-1/4	17	130	3 150#	131	4 150#	132	6 150#	133	8 150#	
C14F72N33B4Y	120	480	44-3/4	27	18-1/4	17	43	3 150#	44	4 150#	45	6 150#	46	8 150#	
C14F72N43B4Y	160	480	54-3/4	37	28-1/4	17	53	3 150#	54	4 150#	55	6 150#	56	8 150#	
C14F72N52B4Y	200	480	63-3/4	46	37-1/4	17	62	3 150#	63	4 150#	64	6 150#	65	8 150#	
C14F72N61B4Y	240	480	72-3/4	55	46-1/4	17	71	3 150#	72	4 150#	73	6 150#	74	8 150#	
C14F72N88B4Y	355	480	99-3/4	82	73-1/4	17	98	3 150#	99	4 150#	100	6 150#	101	8 150#	
C14F72N106B4Y	401	480	117-3/4	100	91-1/4	17	116	3 150#	117	4 150#	118	6 150#	119	8 150#	
C14F72N120B4Y	456	480	131-3/4	114	105-1/4	17	130	3 150#	131	4 150#	132	6 150#	133	8 150#	